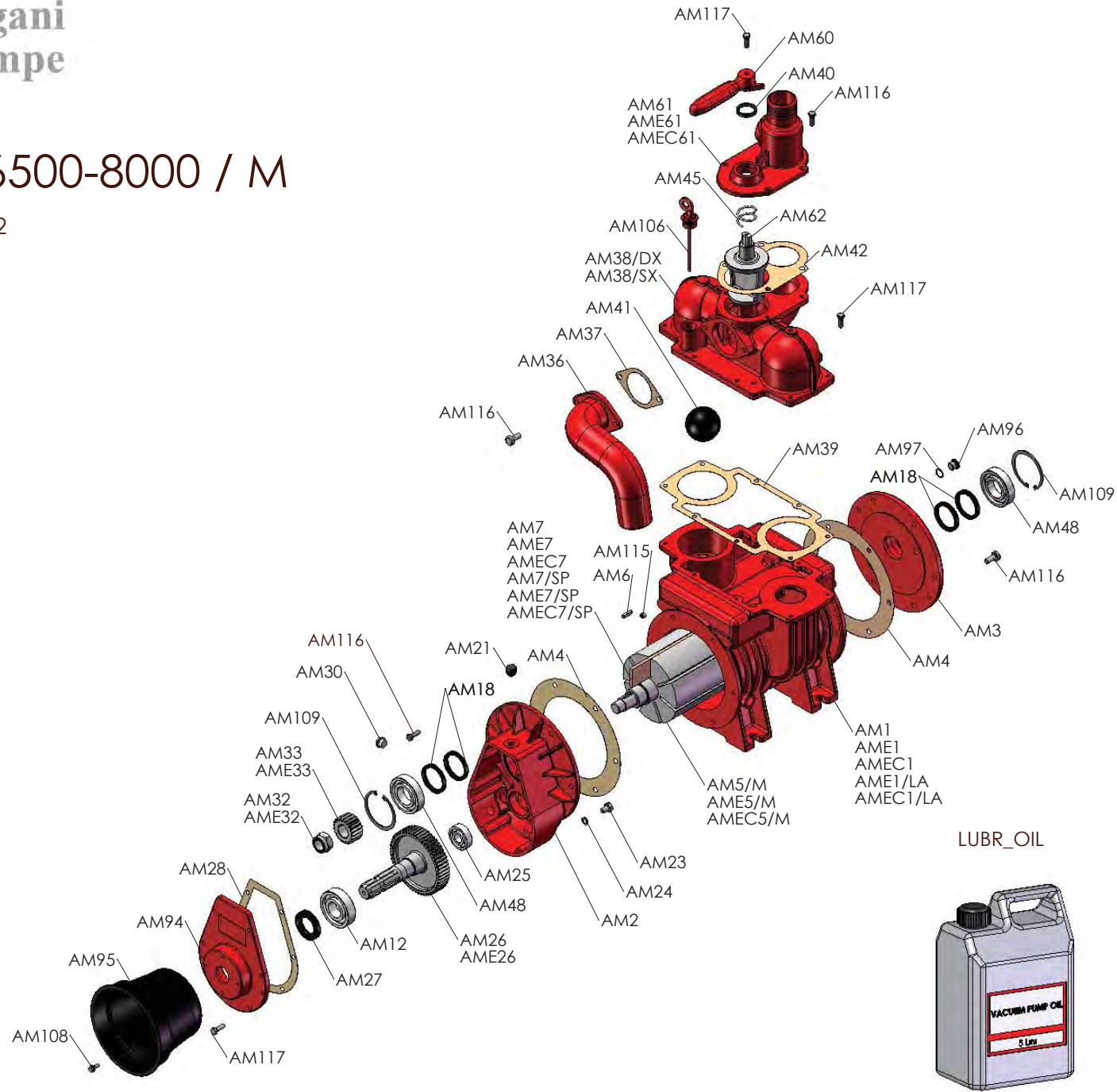




**Battioni®**  
**Pagani**  
**Pompe**

# MEC 5000-6500-8000 / M

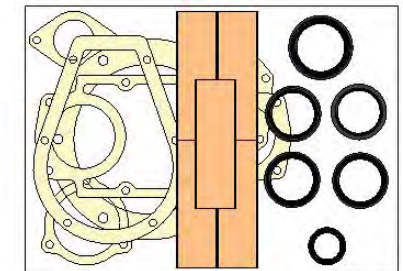
Rel. 0 dated 01/03/2012



LUBR\_OIL



REBUILD KIT



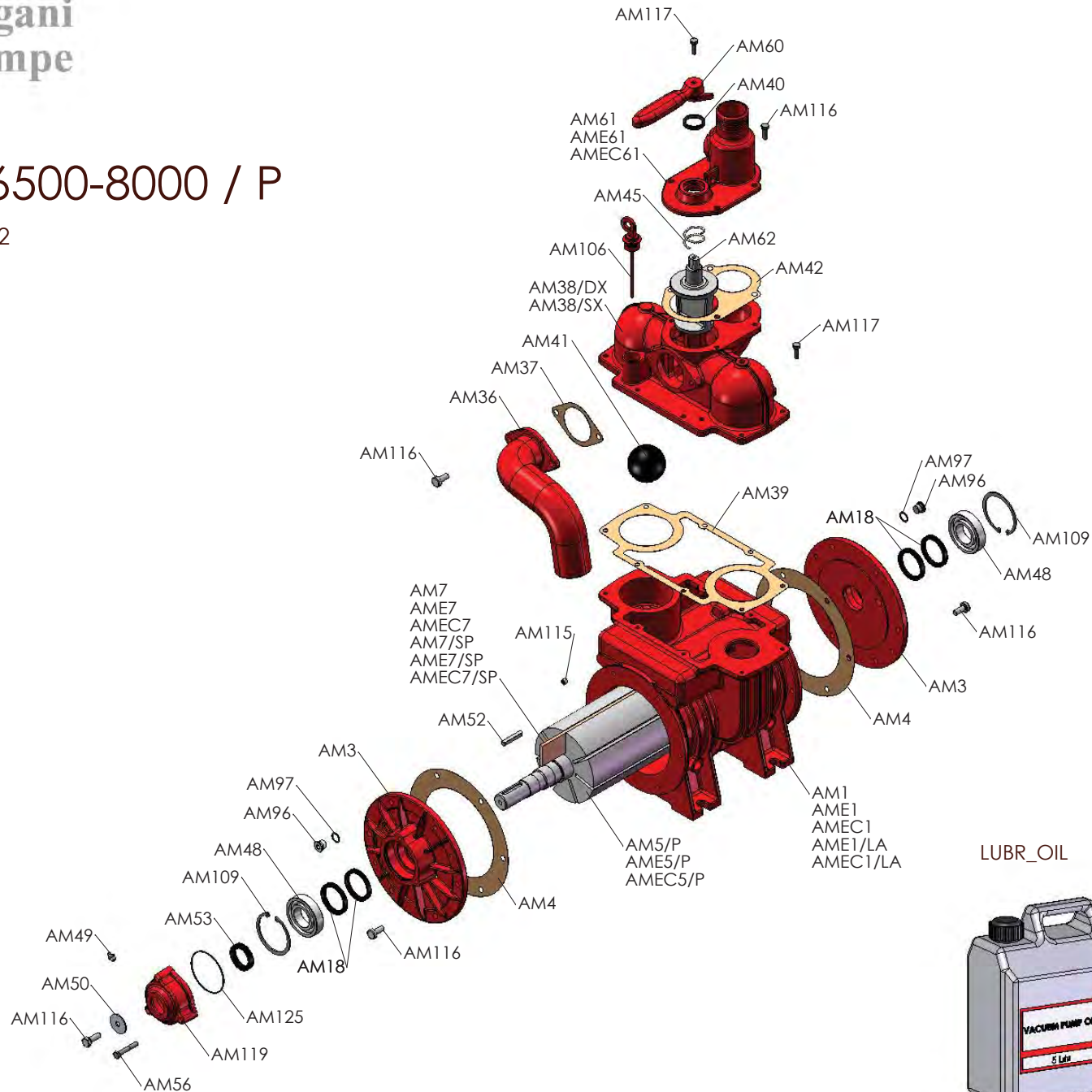
AM123  
AME123  
AMEC123  
AM123/SP  
AME123/SP  
AMEC123/SP



**Battioni®  
Pagani  
Pompe**

# MEC 5000-6500-8000 / P

Rel. 0 deted 01/03/2012

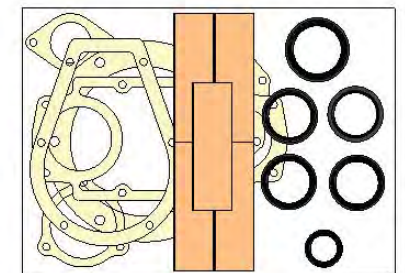


LUBR\_OIL



REBUILD KIT

- AM123
- AME123
- AMEC123
- AM123/SP
- AME123/SP
- AMEC123/SP

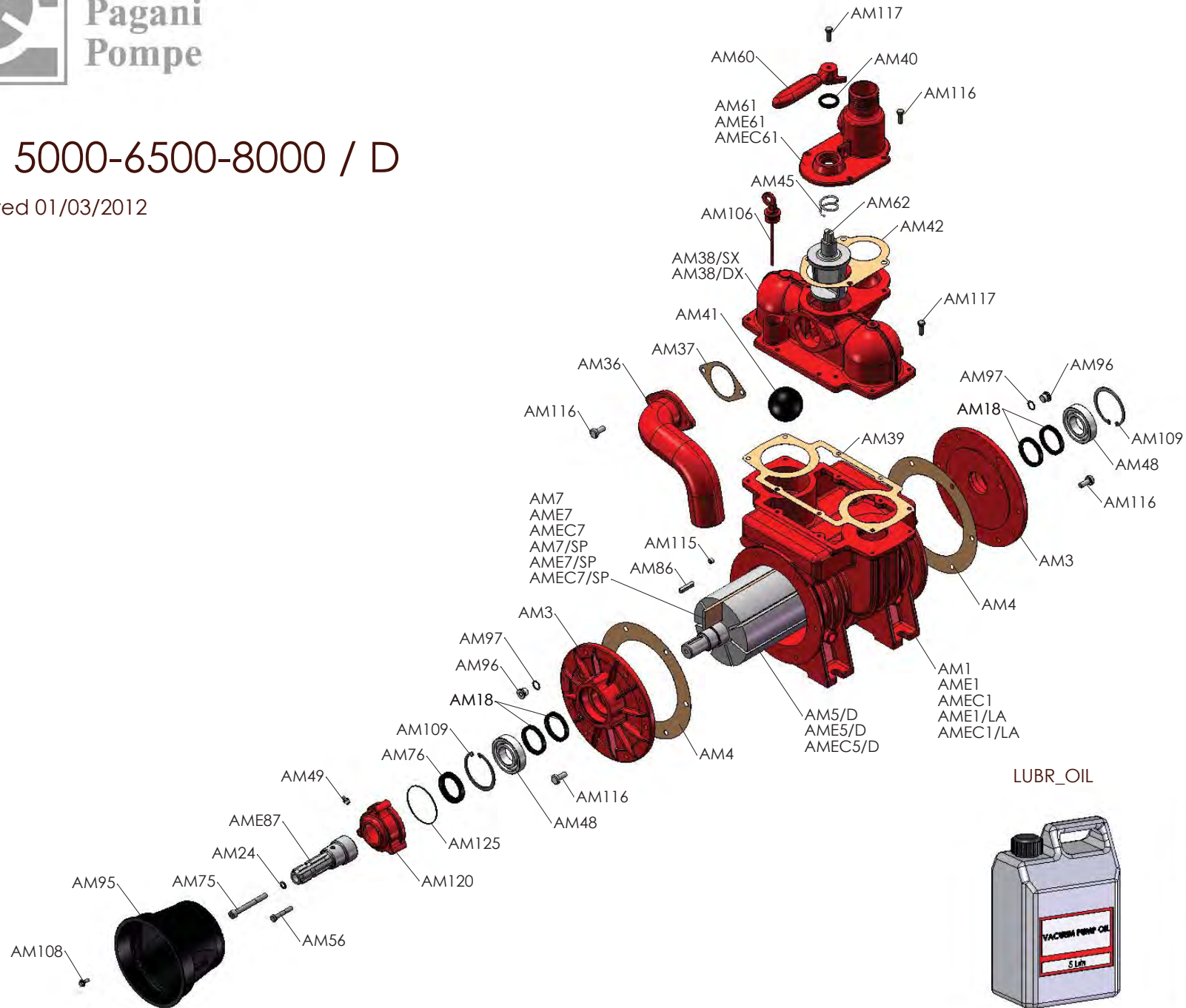




**Battioni®**  
**Pagani**  
**Pompe**

# MEC 5000-6500-8000 / D

Rel. 0 dated 01/03/2012

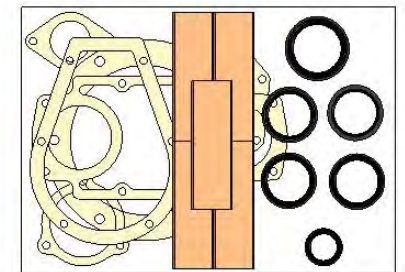


LUBR\_OIL



REBUILD KIT

AM123  
 AME123  
 AMEC123  
 AM123/SP  
 AME123/SP  
 AMEC123/SP

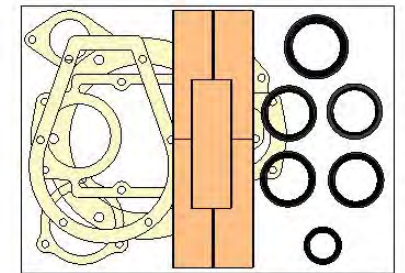
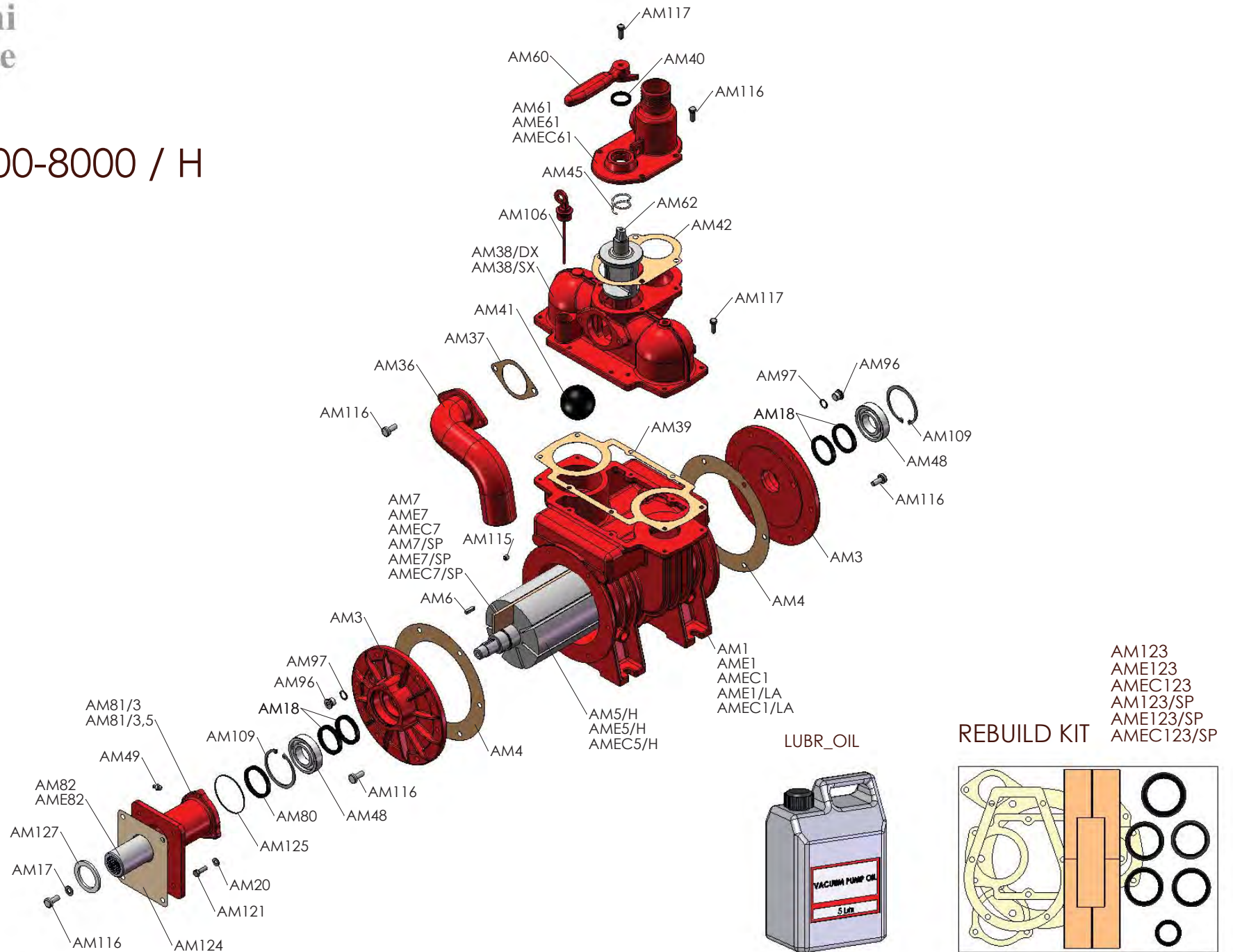




**Battioni®**  
**Pagani**  
**Pompe**

# MEC 5000-6500-8000 / H

Rel. 0 dated 01/03/2012

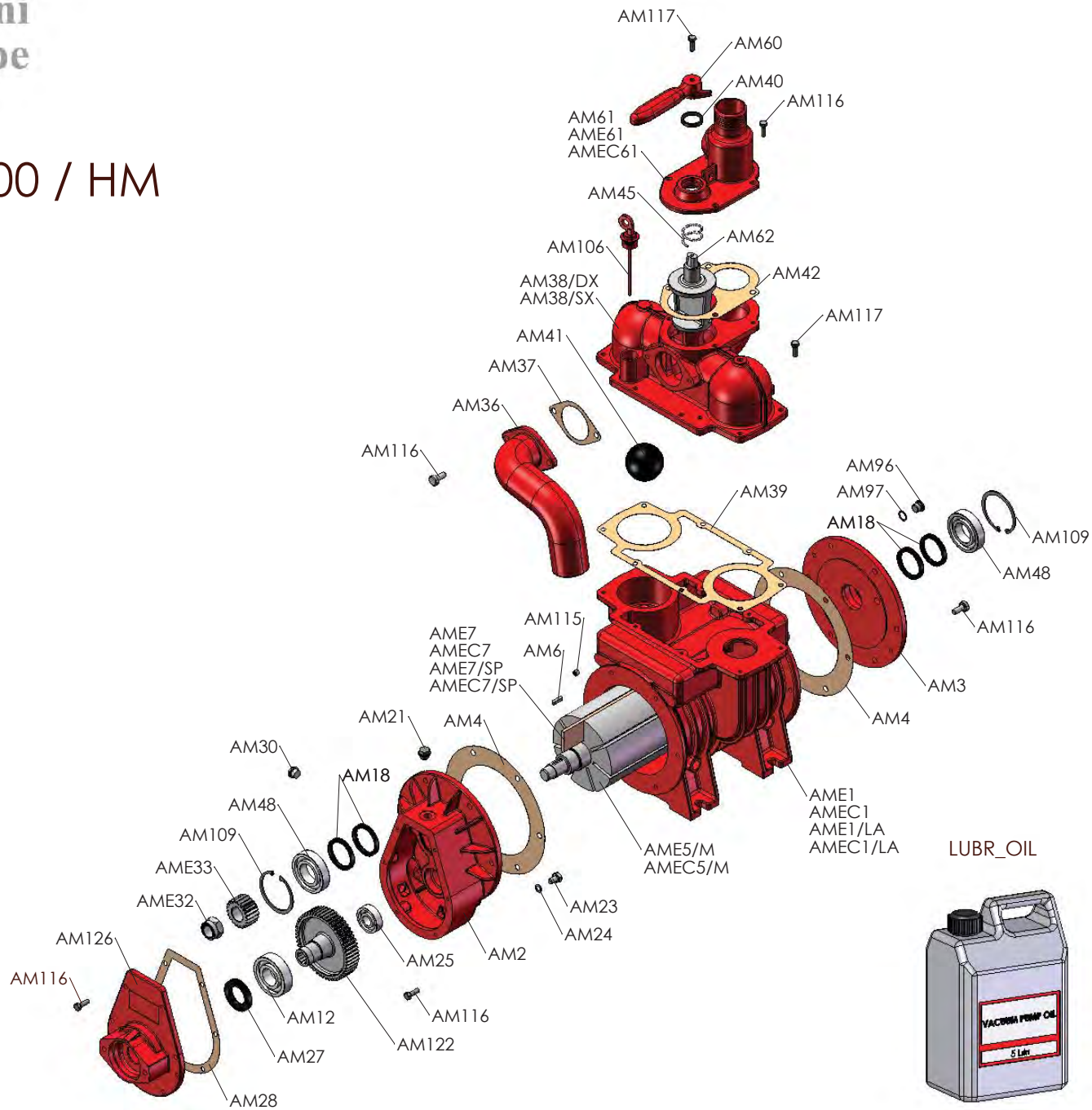




**Battioni®  
Pagani  
Pompe**

# MEC 6500-8000 / HM

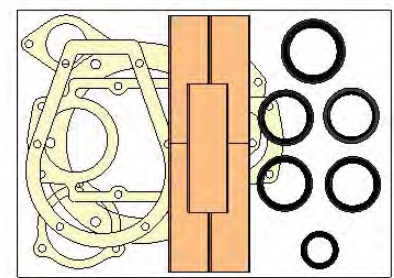
Rel. 0 deted 01/03/2012



LUBR\_OIL



REBUILD KIT  
AME123  
AMEC123  
AME123/SP  
AMEC123/SP

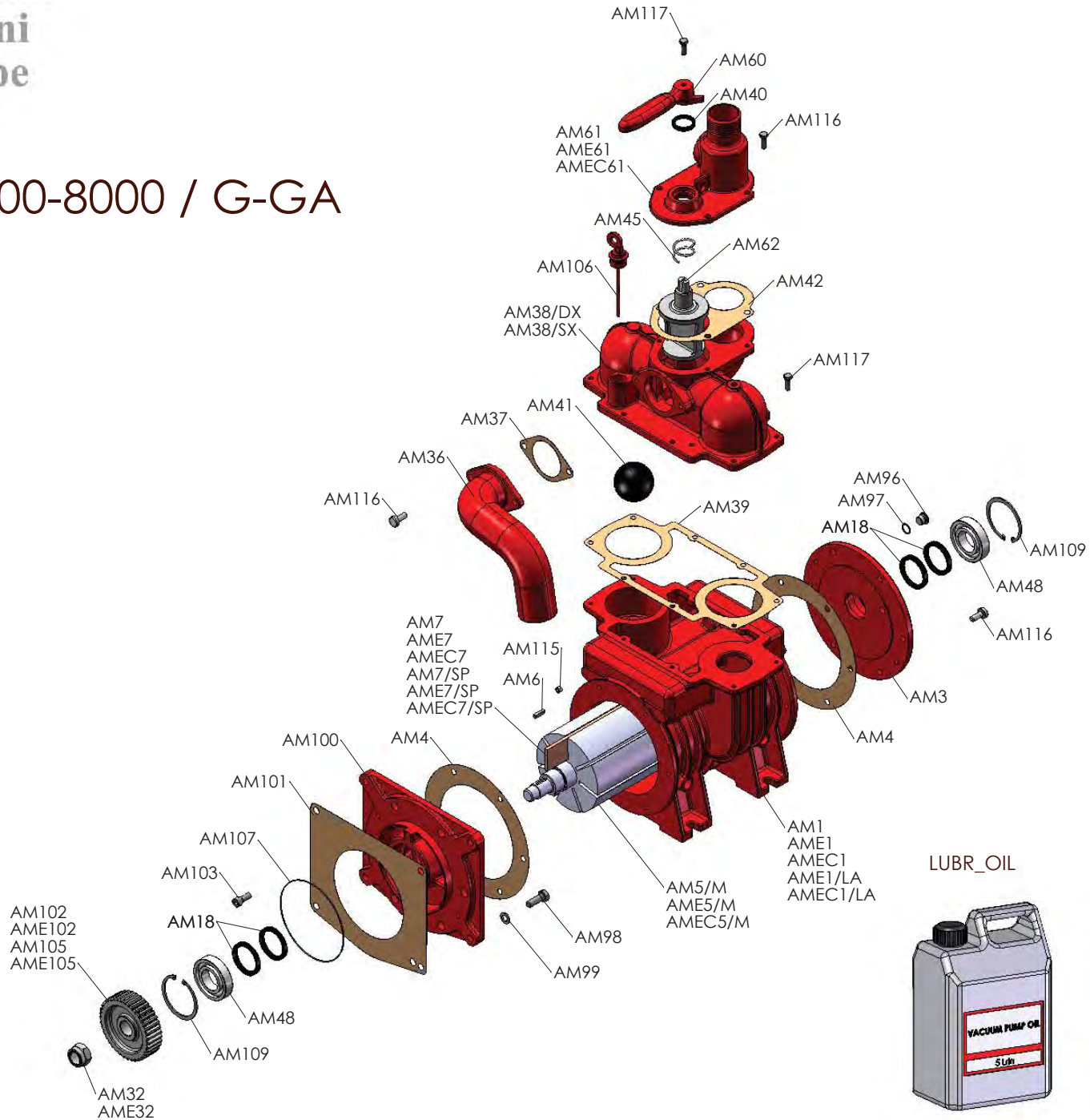




**Battioni®**  
**Pagani**  
**Pompe**

# MEC 5000-6500-8000 / G-GA

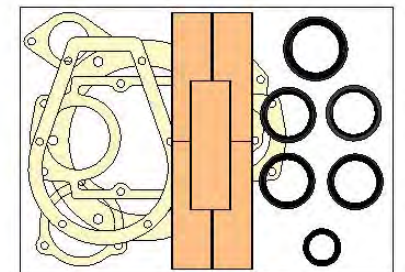
Rel. 0 dated 01/03/2012



LUBR\_OIL



REBUILD KIT

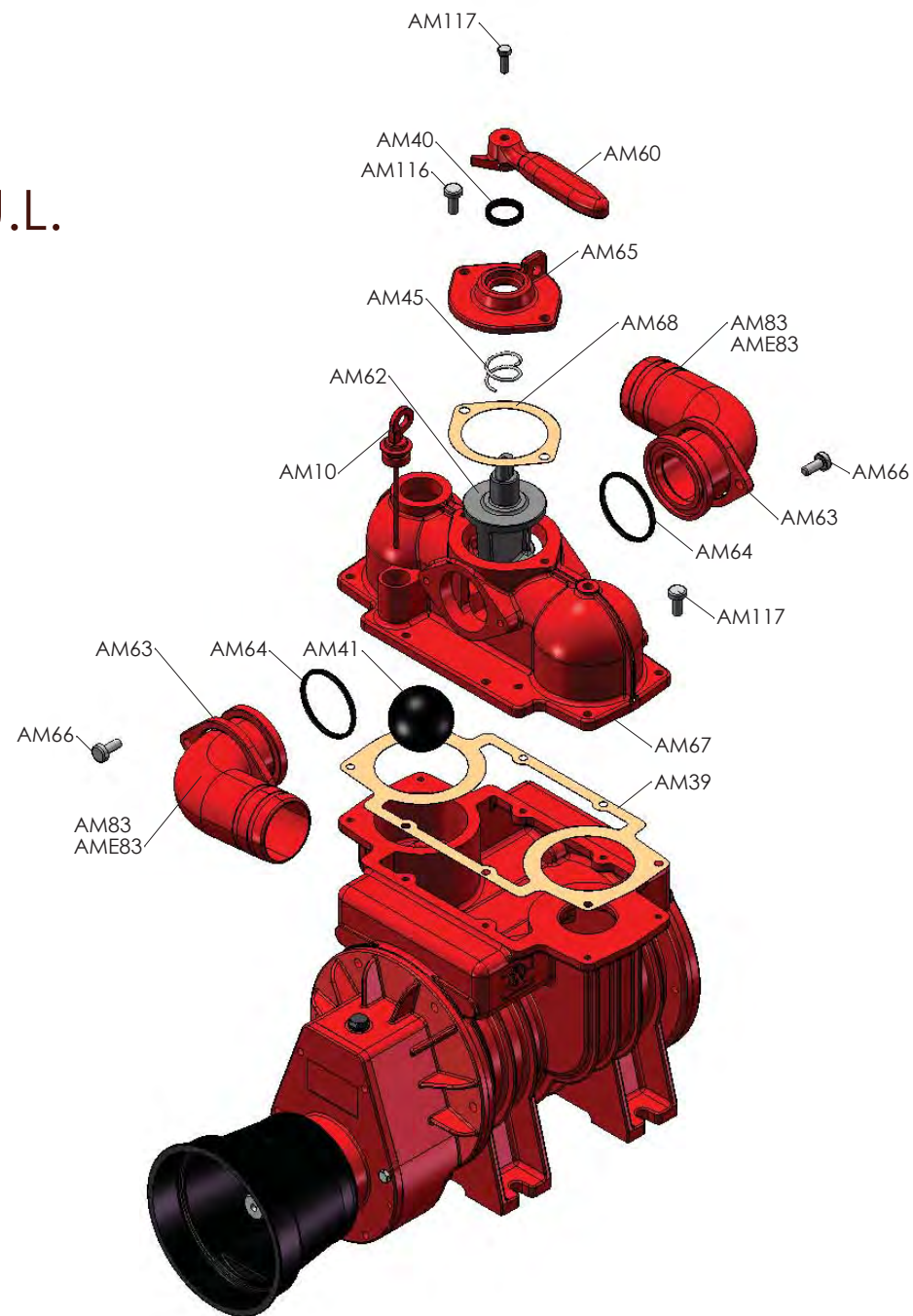




Battioni®  
Pagani  
Pompe

# MEC 5000-6500-8000 / U.L.

Rel. 0 dated 01/03/2012

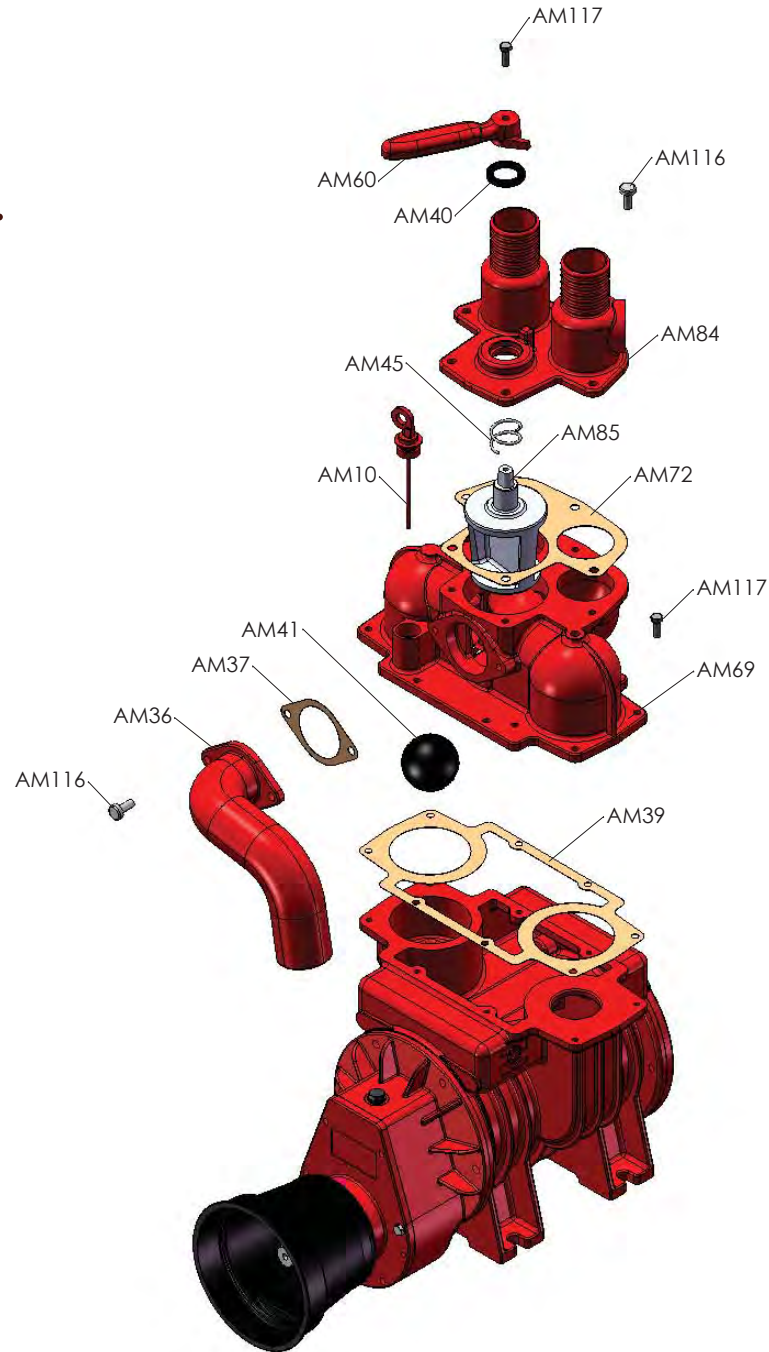




**Battioni®**  
**Pagani**  
**Pompe**

# MEC 5000-6500-8000 / D.U.

Rel. 0 deted 01/03/2012



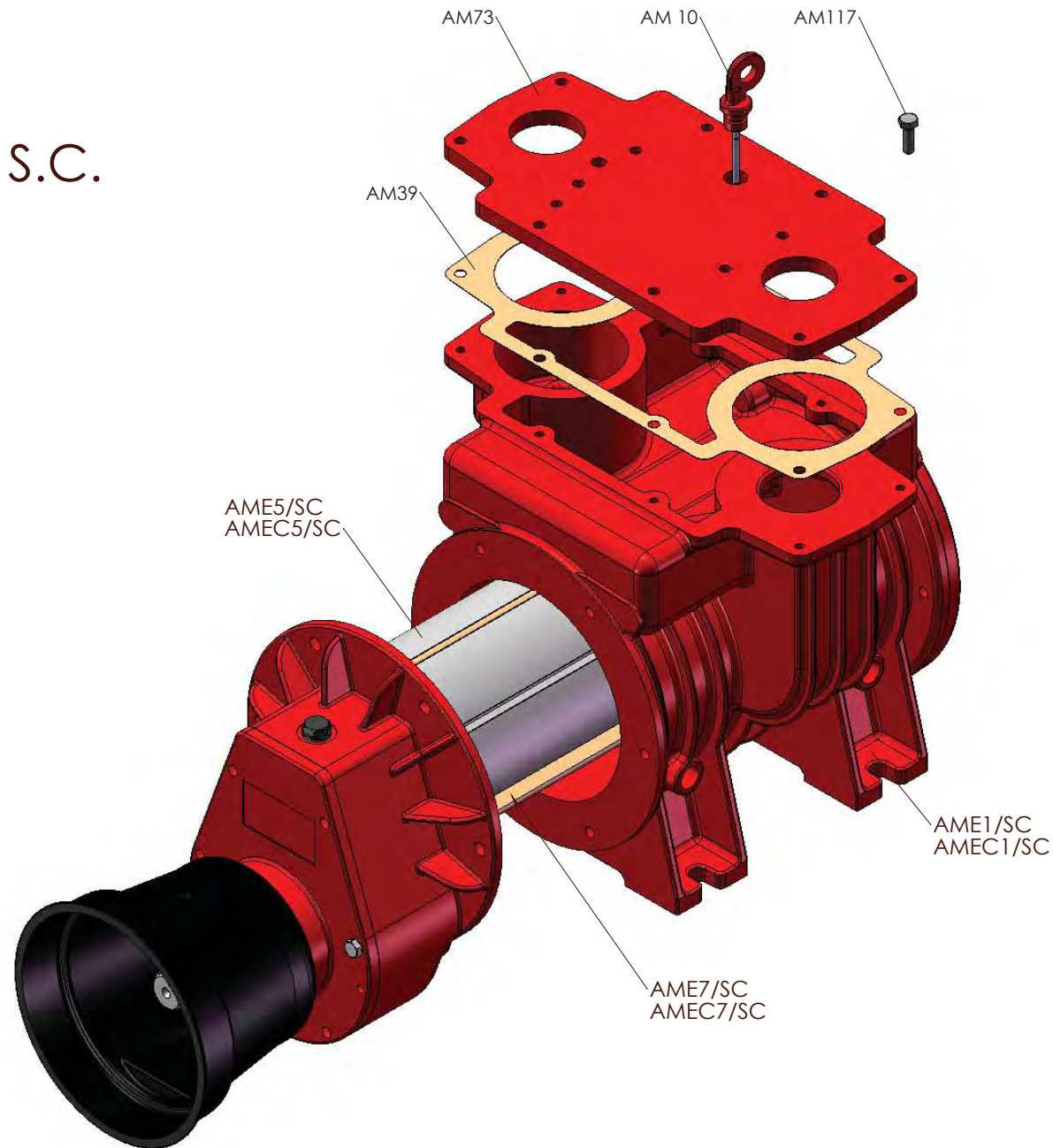




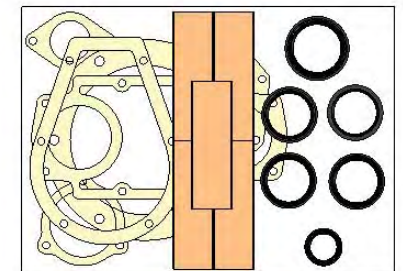
Battioni®  
Pagani  
Pompe

# MEC 6500-8000 / S.C.

Rel. 0 dated 01/03/2012



REBUILD KIT AME123/SC  
AMEC123/SC

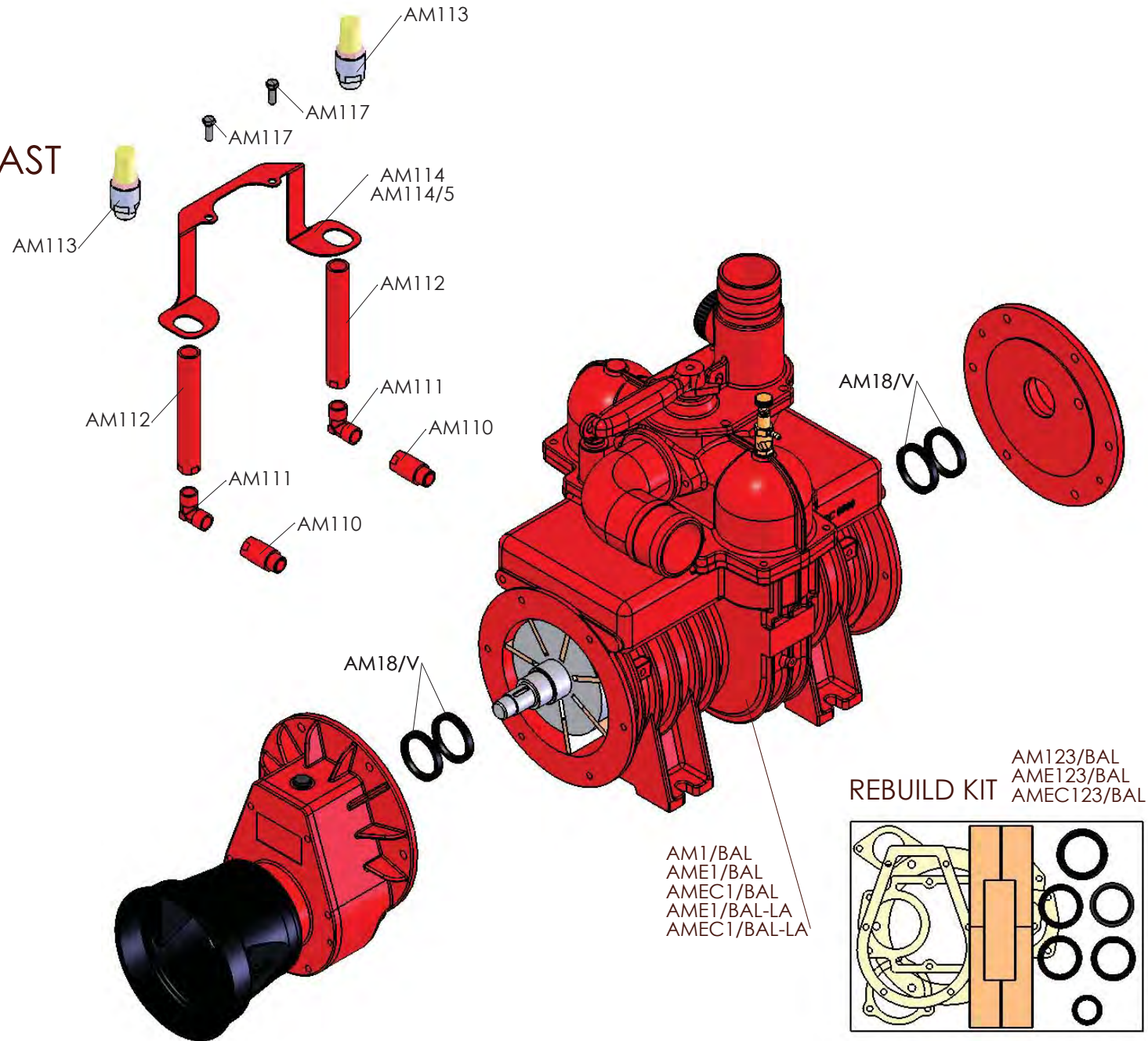




Battioni®  
Pagani  
Pompe

# MEC 5000-6500-8000 / BALLAST

Rel. 0 dated 01/03/2012

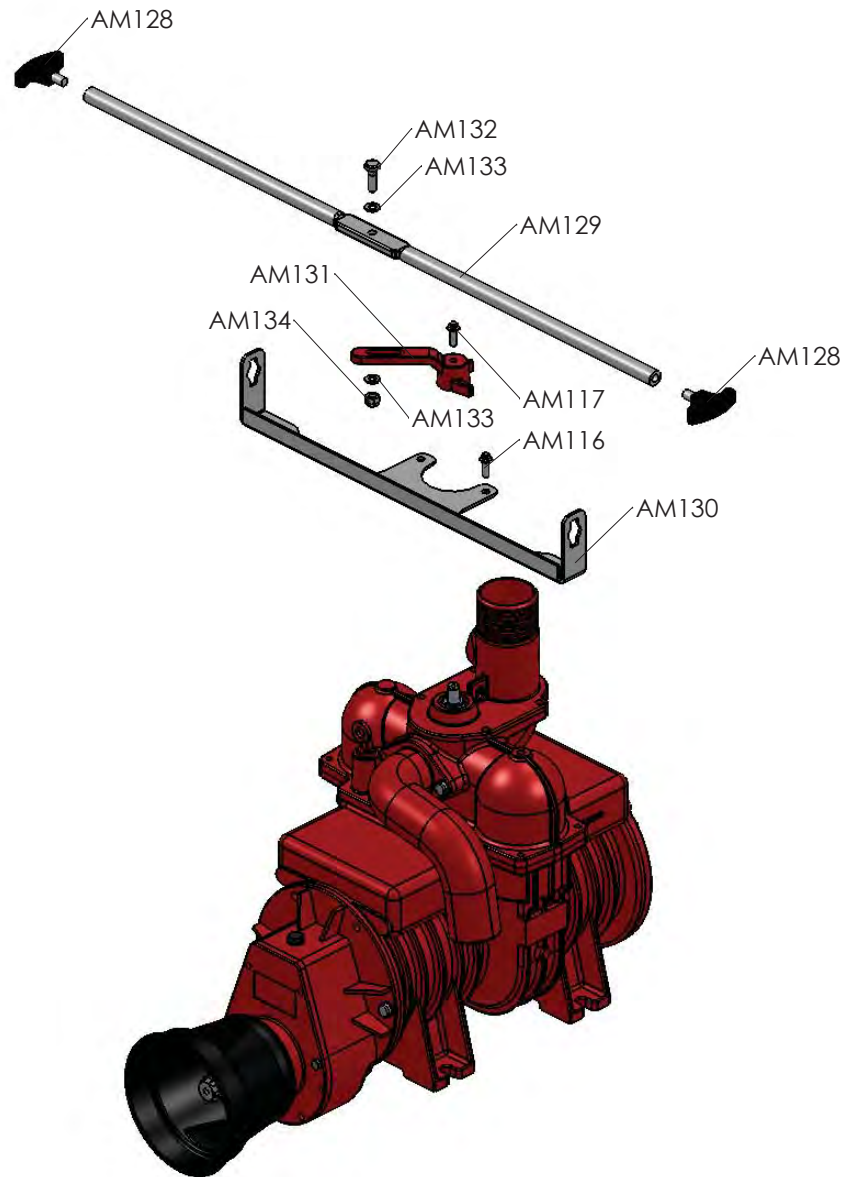




Battioni®  
Pagani  
Pompe

# MEC 5000-6500-8000 CON LEVA UNI 707

Rel. 0 dated 01/03/2012

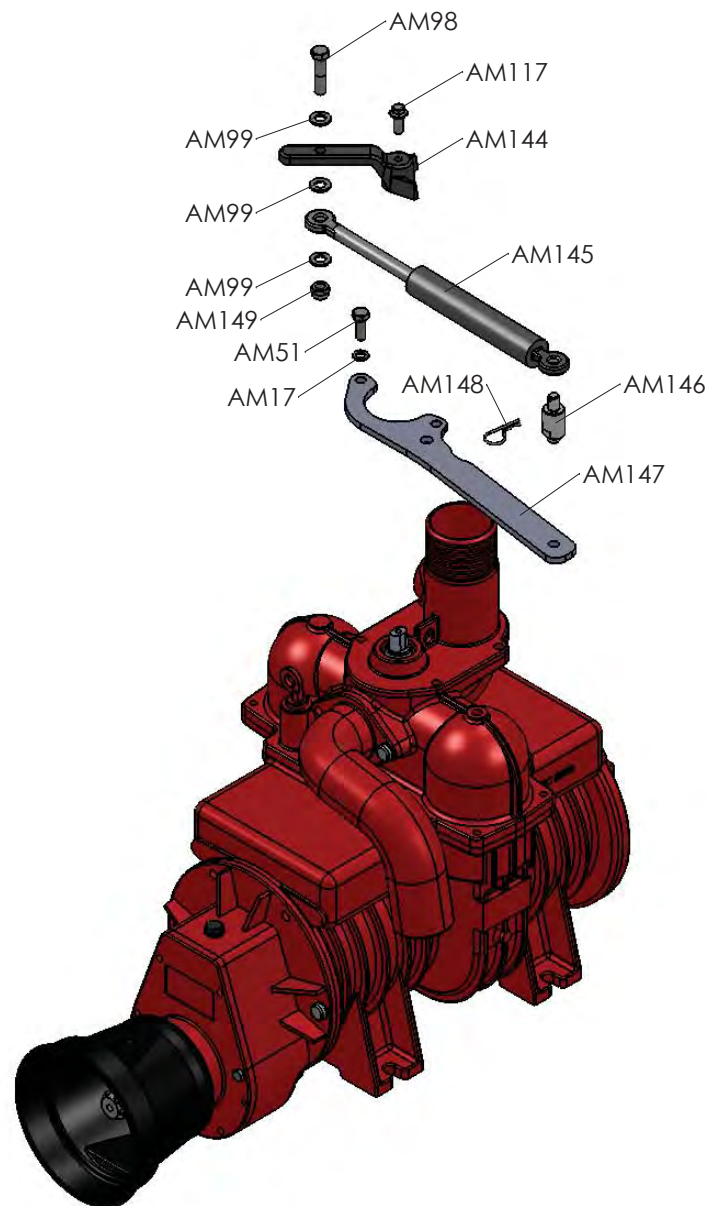




**Battioni®**  
**Pagani**  
**Pompe**

# MEC 5000-6500-8000 HYDRAULIC HOUSING

Rel. 0 dated 01/03/2012

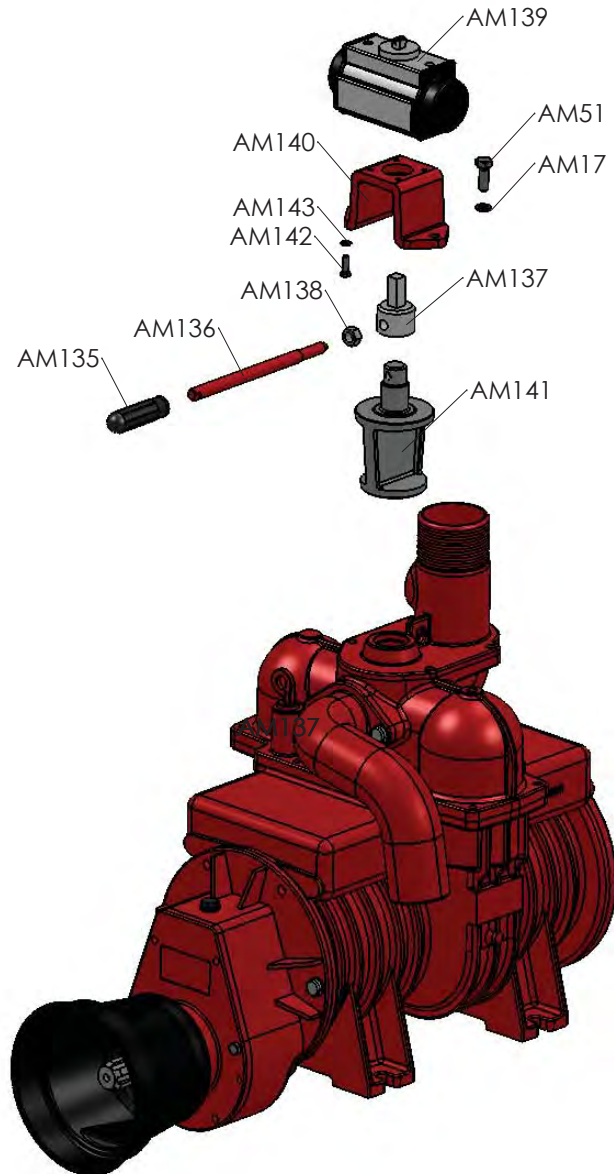




Battioni®  
Pagani  
Pompe

# MEC 5000-6500-8000 PNEUMATIC REVOLVING HOUSING

Rel. 0 dated 01/03/2012





| Ref.         | Code       | Descrizione                               | Description                              | Qty |
|--------------|------------|---|--|-----|
| AM1          | 4010101006 | CORPO POMPA MEC 5000                      | HOUSING - MEC 5000                       | 1   |
| AMEC1        | 4010101007 | CORPO POMPA MEC 6500 LF                   | HOUSING - MEC 6500 LF                    | 1   |
| AMEC1/LA     | 4010101097 | CORPO POMPA MEC 6500 LA                   | HOUSING - MEC 6500 LA                    | 1   |
| AMEC1/SC     | 4010101098 | CORPO POMPA MEC 6500 SC LF                | HOUSING - MEC 6500 SC LF                 | 1   |
| AME1         | 4010101008 | CORPO POMPA MEC 8000 LF                   | HOUSING - MEC 8000 LF                    | 1   |
| AME1/LA      | 4010101099 | CORPO POMPA MEC 8000 LA                   | HOUSING - MEC 8000 LA                    | 1   |
| AME1/SC      | 4010101098 | CORPO POMPA MEC 6500 SC LF                | HOUSING - MEC 6500 SC LF                 | 1   |
| AM1/BAL      | 4010101083 | CORPO POMPA MEC 5000 BALLAST              | HOUSING - MEC 5000 BALLAST               | 1   |
| AMEC1/BAL    | 4010101084 | CORPO POMPA MEC 6500 BALLAST LF           | HOUSING - MEC 6500 BALLAST LF            | 1   |
| AMEC1/BAL-LA | 4010101111 | CORPO POMPA MEC 6500 BALLAST LA           | HOUSING - MEC 6500 BALLAST LA            | 1   |
| AME1/BAL     | 4010101082 | CORPO POMPA MEC 8000 BALLAST LF           | HOUSING - MEC 8000 BALLAST LF            | 1   |
| AME1/BAL-LA  | 4010101112 | CORPO POMPA MEC 8000 BALLAST LA           | HOUSING - MEC 8000 BALLAST LA            | 1   |
| AM2          | 4010301003 | SCATOLA MOLT. MEC 5-6,5-8000/M            | GEARBOX - MEC 5-6,5-8000/M               | 1   |
| AM3          | 4010401003 | FLANGIA ANT. POST. MEC 5000-6500-8000     | FRONT AND BACK FLANGE - MEC 5000-6500-80 | 1   |
| AM4          | 4030108007 | GUARN. FLANGIA MEC 5-8000                 | FLANGE GASKET - MEC 5-8000               | 2   |
| AM5/M        | 4010220014 | ROTORE MEC 5000/M                         | ROTOR - MEC 5000/M                       | 1   |
| AMEC5/M      | 4010220015 | ROTORE MEC 6500/M                         | ROTOR - MEC 6500/M                       | 1   |
| AME5/M       | 4010220016 | ROTORE MEC 8000/M                         | ROTOR - MEC 8000/M                       | 1   |
| AM5/P        | 4010220017 | ROTORE MEC 5000/P                         | ROTOR - MEC 5000/P                       | 1   |
| AMEC5/P      | 4010220018 | ROTORE MEC 6500/P                         | ROTOR - MEC 6500/P                       | 1   |
| AME5/P       | 4010220019 | ROTORE MEC 8000/P                         | ROTOR - MEC 8000/P                       | 1   |
| AM5/D        | 4010220071 | ROTORE MEC 5000/D                         | ROTOR - MEC 5000/D                       | 1   |
| AMEC5/D      | 4010220072 | ROTORE MEC 6500/D                         | ROTOR - MEC 6500/D                       | 1   |
| AME5/D       | 4010220073 | ROTORE MEC 8000/D                         | ROTOR - MEC 8000/D                       | 1   |
| AM5/H        | 4010220081 | ROTORE MEC 5000/H                         | ROTOR - MEC 5000/H                       | 1   |
| AMEC5/H      | 4010220082 | ROTORE MEC 6500/H                         | ROTOR - MEC 6500/H                       | 1   |
| AME5/H       | 4010220083 | ROTORE MEC 8000/H                         | ROTOR - MEC 8000/H                       | 1   |
| AMEC5/SC     | 4010220142 | ROTORE MEC 6500/M SENZA COLLETTORE        | ROTOR - MEC 6500/M SC                    | 1   |
| AME5/SC      | 4010220143 | ROTORE MEC 8000/M SENZA COLLETTORE        | ROTOR - MEC 8000/M SC                    | 1   |
| AM6          | 5050707002 | CHIAVETTA 6X6X25                          | KEY - 6X6X25                             | 1   |
| AM7          | 4070113006 | PALETTA STANDARD - MEC 5000 300X46.5X6.5  | STANDARD BLADE - MEC 5000 300X46.5X6.5   | 7   |
| AMEC7        | 4070113007 | PALETTA STANDARD - MEC 6500 370X46.5X6.5  | STANDARD BLADE - MEC 6500 370X46.5X6.5   | 7   |
| AME7         | 4070113008 | PALETTA STANDARD - MEC 8000 450X46.5X6.5  | STANDARD BLADE - MEC 8000 450X46.5X6.5   | 7   |
| AM7/SP       | 4070113123 | PALETTA LONG LIFE - MEC 5000 300X46.5X6.5 | LONG LIFE BLADE - MEC 5000 300X46.5X6.5  | 7   |
| AMEC7/SP     | 4070113124 | PALETTA LONG LIFE - MEC 6500 370X46.5X6.5 | LONG LIFE BLADE - MEC 6500 370X46.5X6.5  | 7   |
| AME7/SP      | 4070113125 | PALETTA LONG LIFE - MEC 8000 450X46.5X6.5 | LONG LIFE BLADE - MEC 8000 450X46.5X6.5  | 7   |
| AMEC7/SC     | 4070113180 | PALETTA STANDARD - MEC 6500 369X46.5X9.7  | STANDARD BLADE - MEC 6500 369X46.5X9.7   | 5   |
| AME7/SC      | 4070113181 | PALETTA STANDARD - MEC 8000 449X46.5X9.7  | STANDARD BLADE - MEC 8000 449X46.5X9.7   | 5   |
| AM10         | 5060100002 | ASTA LIVELLO OLIO 18X79 MM                | OIL LEVEL ROD - 18X79 MM                 | 1   |
| AM12         | 5012107010 | CUSCINETTO A SFERE 6307                   | BALL BEARING - 6307                      | 1   |
| AM17         | 5050207004 | RONDELLA D 10                             | SMOOTH WASHER - D 10                     | 1   |
| AM18         | 5030300006 | PARAOLIO 48X62X8                          | OIL SEAL - 48X62X8                       | 4   |
| AM18/V       | 5030300040 | PARAOLIO 48X62X8 FKM                      | OIL SEAL - 48X62X8 FKM                   | 4   |
| AM20         | 5050207002 | RONDELLA D 6                              | SMOOTH WASHER - D 6                      | 3   |
| AM21         | 5060605001 | TAPPO CARICO OLIO D 3/8" GAS              | OIL PLUG - D 3/8" GAS                    | 1   |
| AM23         | 5050107018 | VITE M 10X16 TE                           | SCREW - M 10X16 TE                       | 1   |
| AM24         | 5050202002 | RONDELLA D 10X16X1,5 ALLUMINIO            | ALUMINIUM WASHER - D 10X16X1,5           | 1   |
| AM25         | 5012107006 | CUSCINETTO A SFERE 6304                   | BALL BEARING - 6304                      | 1   |
| AM26         | 4020507002 | INGR. CON ALBERO MEC 2-5000 Z55-M2,5      | GEAR WITH SHAFT - Z55-M2,5 MEC 2-5000    | 1   |
| AME26        | 4020507003 | INGR. CON ALBERO MEC 6,5-8000 Z53-M2,5    | GEAR WITH SHAFT - Z53-M2,5 MEC 6,5-8000  | 1   |
| AM27         | 5030300005 | PARAOLIO 35X62X10                         | OIL SEAL - 35X62X10                      | 1   |
| AM28         | 4030108006 | GUARN. COPERCHIO SCAT. MOLT. MEC 2-8000   | GEARBOX COVER GASKET - MEC 2-8000        | 1   |
| AM30         | 5060105004 | TAPPO LIVELLO OLIO D 3/8" GAS             | OIL LEVEL PLUG - D 3/8" GAS              | 1   |
| AM32         | 5050300001 | DADO AUTOBLOCCANTE M 24X2X15              | SELF-LOCKING NUT - M 24X2                | 1   |
| AME32        | 5050300002 | DADO AUTOBLOCCANTE M 27X2X16              | SELF-LOCKING NUT - M 27X2X16             | 1   |
| AM33         | 4020607002 | PIGNONE MEC 2-5000 Z21-M2,5               | PINION - Z21-M2,5 MEC 2-5000             | 1   |
| AME33        | 4020607003 | PIGNONE MEC 6,5-8000 Z23-M2,5             | PINION - Z23-M2,5 MEC 6,5-8000           | 1   |



|          |            |  |  |   |
|----------|------------|--|--|---|
| AM36     | 4010901003 | CURVA DI SCARICO MEC 5-8000              | EXHAUST ELBOW - MEC 5-8000               | 1 |
| AM37     | 4030110003 | GUARN. LATERALE COLL. MEC 5-8000         | MANIFOLD SIDE GASKET - MEC 5-8000        | 1 |
| AM38/DX  | 4010501004 | COLLETTORE MEC 5-6,5-8000                | MANIFOLD - MEC 5-8000                    | 1 |
| AM38/SX  | 4010501025 | COLLETTORE MEC 5-6,5-8000 SINISTRO       | MANIFOLD - MEC 1000-1600 CCW             | 1 |
| AM39     | 4030109005 | GUARN. COLLETTORE MEC 5-8000             | MANIFOLD GASKET - MEC 5-8000             | 1 |
| AM40     | 5030300007 | PARAOLIO 30X40X7 TC                      | OIL SEAL - 30X40X7                       | 1 |
| AM41     | 5060410006 | SFERA IN GOMMA PESANTE D 70              | RUBBER BALL - D 70                       | 1 |
| AM42     | 4030109006 | GUARN. COPERCHIO COLL. MEC 5-8000        | MANIFOLD COVER GASKET - MEC 5-8000       | 1 |
| AM45     | 4012007002 | MOLLA MEC 5-8000                         | SPRING - MEC 5-8000                      | 1 |
| AM48     | 5012107004 | CUSCINETTO A SFERE 6208                  | BALL BEARING - 6208                      | 2 |
| AM49     | 5050812001 | INGRASSATORE M 10X1                      | LUBRICATOR - M 10X1                      | 1 |
| AM50     | 5050207008 | RONDELLA TRANCIATA D 10X40               | BLANK WASHER - D 10X40                   | 1 |
| AM51     | 5050107021 | VITE M 10X30 TE                          | SCREW M 10X30 TE                         | 1 |
| AM52     | 5050707007 | CHIAVETTA 8X7X50                         | KEY - 8X7X50                             | 1 |
| AM53     | 5030300002 | PARAOLIO 35X52X10                        | OIL SEAL - 35X52X10                      | 1 |
| AM56     | 5050107014 | VITE M 8X50 TE                           | SCREW - M 8X50 TE                        | 3 |
| AM60     | 4010801007 | MANIGLIA MEC 2-8000                      | HANDLE - MEC 2-8000                      | 1 |
| AM61     | 4010601075 | COPERCHIO COLLETTORE D 60 MEC 5-6500     | MANIFOLD COVER - D 60 MEC 5-6500         | 1 |
| AME61    | 4010601076 | COPERCHIO COLLETTORE D 80 MEC 8000       | MANIFOLD COVER - D 80 MEC 8000           | 1 |
| AMEC61   | 4010601016 | COPERCHIO COLLETTORE D 76 MEC 5-6,5-8000 | MANIFOLD COVER - MEC 5-6,5-8000 D76      | 1 |
| AM62     | 4010701012 | CONO INVERTITORE MEC 5-8000              | REVERSING GEAR - MEC 5-8000              | 1 |
| AM63     | 4010406004 | FLANGIA PREMICURVA - MEC 5/6,5/8000      | SUPPORT FLANGE - D 76 - MEC 5/6,5/8000   | 2 |
| AM64     | 5030210019 | ANELLO TENUTA OR 179 MEC 5000 UL         | SEAL RING - OR 179                       | 2 |
| AM65     | 4010601078 | COPERCHIO COLLETTORE MEC 5-6,5-8000 UL   | MANIFOLD COVER - MEC 5-6,5-8000 UL       | 1 |
| AM66     | 5050107022 | VITE M 10X40 TE                          | SCREW - M 10X40 TE                       | 4 |
| AM67     | 4010501012 | COLLETTORE MEC 5-6,5-8000 UL             | MANIFOLD - MEC 5-8000 UL                 | 1 |
| AM68     | 4030109027 | GUARN. COPERCHIO COLL. MEC 5-8000 UL     | MANIFOLD COVER GASKET - MEC 5-8000 UL    | 1 |
| AM69     | 4010501005 | COLLETTORE MEC 5-6,5-8000 DU             | MANIFOLD - MEC 5-8000 DU                 | 1 |
| AM72     | 4030109009 | GUARN. COPERCHIO COLL. MEC 5-8000 DU     | MANIFOLD COVER GASKET - MEC 5-8000 DU    | 1 |
| AM73     | 4010606004 | COPERCHIO SERBATOIO OLIO MEC 5-8000 SC   | OIL TANK COVER - MEC 5-8000 SC           | 1 |
| AM75     | 5050107125 | VITE M 10X110 TCEI                       | SCREW - M 10X110 TCEI                    | 1 |
| AM76     | 5030300032 | PARAOLIO 45X60X10                        | OIL SEAL - 45X60X10                      | 1 |
| AM80     | 5030300013 | PARAOLIO 55X68X8                         | OIL SEAL - 55X68X8                       | 1 |
| AM81/3   | 4011001045 | SUPPORTO MOTORE IDR. MEC 2-8000/H GR. 3  | HYDR. MOT. SUPPORT - MEC 2-8000/H GR. 3  | 1 |
| AM81/3,5 | 4011001016 | SUPPORTO MOTORE IDR.MEC 2-11000/H GR.3,5 | HYDR. MOT. SUPPORT - MEC 2-8000/H GR.3,5 | 1 |
| AM82     | 4020107006 | MANICOTTO TRASM. MOT. IDR. MEC 2-5000    | HYDR. MOTOR TRANSM. COUPLING MEC 2-5000  | 1 |
| AME82    | 4020107007 | MANICOTTO TRASM. MOT. IDR. MEC 6,5-8000  | HYDR. MOTOR TRANSM.COUPLING MEC6,5-8000  | 1 |
| AM83     | 4010901013 | CURVA DI SCARICO ORIENT. MEC 5-8000 D 76 | REVOLVING ELBOW - MEC 5-8000 D 76        | 2 |
| AME83    | 4010906004 | CURVA DI SCARICO ORIENT. MEC 5-8000 D 80 | REVOLVING ELBOW - MEC 5-8000 D 80        | 2 |
| AM84     | 4010601090 | COPERCHIO COLLETTORE MEC 5-6,5-8000 DU   | MANIFOLD COVER - MEC 5-6,5-8000 DU       | 1 |
| AM85     | 4010701013 | CONO INVERTITORE MEC 5-8000 DU           | REVERSING GEAR - MEC 5-8000 DU           | 1 |
| AM86     | 5050707015 | CHIAVETTA 8X7X40                         | KEY - 8X7X40                             | 1 |
| AME87    | 5020107002 | PRESA CALETTATA FORO D 32 - $\phi$ 1"3/8 | SPLINED HUB HOLE D 32 - MEC 6500/8000    | 1 |
| AM94     | 4010601115 | COPERCHIO SCATOLA MOLT. MEC 2-8000 CE    | GEARBOX COVER - MEC 2-8000 CE            | 1 |
| AM95     | 4060505000 | PROTEZIONE ALBERO CE                     | SHAFT GUARD - CE                         | 1 |
| AM96     | 5050906006 | TAPPO D 16x1.5 - DIN 908 -               | PLUG - D 16X1                            | 2 |
| AM97     | 5050202007 | RONDELLA D 16X20X1,5 ALLUMINIO           | ALUMINIUM WASHER - D 16X20X1,5           | 2 |
| AM98     | 5050107028 | VITE M 12X35 TE                          | SCREW - M 12X35 TE                       | 4 |
| AM99     | 5050207005 | RONDELLA D 12                            | SMOOTH WASHER - D 12                     | 4 |
| AM100    | 4010401007 | FLANGIA DI SUPP. DECOM. GARDA/5-6.5-8000 | PUMP SUPPORT FLANGE - MEC/G 5000         | 1 |
| AM101    | 4030108029 | GUARN. FLANGIA SUPP. DECOMPR. MEC /G     | PUMP SUPPORT GASKET - MEC/G              | 1 |
| AM102    | 4020607004 | PIGNONE DEC. GARDA MEC 2-5000 Z39-M3     | GARDA PINION - Z39-M3 MEC 2-5000         | 1 |
| AME102   | 4020607005 | PIGNONE DEC. GARDA MEC 6,5-8000 Z39-M3   | GARDA PINION - Z39-M3 MEC 6,5-8000       | 1 |
| AM103    | 5050107026 | VITE M 10X25 TCEI                        | SCREW - M 10X25 TCEI                     | 6 |
| AM105    | 4020607016 | PIGNONE DEC. GARDA MEC 2-5000 GA Z50-M3  | GARDA PINION - Z50-M3 MEC 2-5000 GA      | 1 |
| AME105   | 4020607017 | PIGNONE DEC. GARDA MEC 8000 GA Z50-M3    | GARDA PINION - Z50-M3 MEC 6,5-8000 GA    | 1 |
| AM106    | 5060605009 | ASTA LIVELLO OLIO 30X130 MM              | OIL LEVEL ROD - 30X130 MM                | 1 |
| AM107    | 5030210060 | ANELLO DI TEN. SUPP. DEC. OR171.12x2.62  | SEAL RING - OR171.12x2.62 .../G          | 1 |



|             |            |  |  |    |
|-------------|------------|--|--|----|
| AM108       | 5050107084 | VITE M 6x16 TEF - FL/ZIGR 8.8 -          | SCREW - M 6X16 TEF                       | 4  |
| AM109       | 5050507011 | ANELLO SEEGER D 80 I                     | CIRCLIP - D 80 I                         | 2  |
| AM110       | 4010007022 | TUBO COLLEGAMENTO BALLAST SYSTEM         | HOSE - BALLAST SYSTEM                    | 2  |
| AM111       | 5040407005 | RACCORDO CURVO M/M 1/2" GAS              | CURVED CONNECTOR - M/M 1/2" GAS          | 2  |
| AM112       | 4010007021 | TUBO PER FILTRI BALLAST SYSTEM           | HOSE FOR FILTER - BALLAST SYSTEM         | 2  |
| AM113       | 6100200029 | VALVOLA UNIDIREZIONALE D 1/2" BALLAST    | UNIDIRECTIONAL VALVE - BALLAST D 1/2"    | 2  |
| AM114       | 4010007023 | SOSTEGNO TUBI BALLAST MEC 6500/8000      | HOSES SUPPORT - MEC 6500/8000 BALLAST    | 1  |
| AM114-5     | 4010007024 | SOSTEGNO TUBI BALLAST MEC 5000           | HOSES SUPPORT - MEC 5000 BALLAST         | 1  |
| AM115       | 5050903001 | TAPPO M 10x1 - DIN 906                   | PLUG - M 10X 1                           | 2  |
| AM116       | 5050107109 | VITE M 10X25 TEF - FL/ZIGR 8.8 -         | SCREW - M 10X25 TEF - FL/ZIGR 8.8        | 20 |
| AM117       | 5050107108 | VITE M 8X25 TEF - FL/ZIGR 8.8 -          | SCREW - M 8X25 TEF - FL/ZIGR 8.8         | 20 |
| AM119       | 4010601153 | COPERCHIO ANTERIORE MEC 5-13500 /P-AL    | FRONT COVER - MEC 5-13500/P AL           | 1  |
| AM120       | 4010601101 | COPERCHIO ANTERIORE CE MEC 2-13500/D     | FRONT COVER - CE MEC 2-4000/D            | 1  |
| AM121       | 5050107122 | VITE M 6X25 TE -10.9 -                   | SCREW - M 6X25 TE -10.9 -                | 3  |
| AM122       | 4020507013 | INGR. CON ALBERO MEC6,5-8000/HM Z53-M2,5 | GEAR WITH SHAFT MEC6,5-8000/HM Z53-M2,5  | 1  |
| AM124       | 4030108046 | GUARN. SUPP. MOTORE IDR. GRUPPO 3.5 -MEC | HYDR. MOT. SUPP. GASKET - GR. 3.5 - MEC  | 1  |
| AM125       | 5030210028 | ANELLO TENUTA OR 2337 POMPA LF           | SEAL RING - OR 86824 LF PUMP             | 1  |
| AM126       | 4010601160 | COPERCHIO SCATOLA MOLT. HM MEC 2-8000    | GEARBOX COVER - MEC 2-8000 HM            | 1  |
| AM127       | 4011707041 | ANELLO DI RIDUZ. PER MOT. IDR. G.3 MEC   | CETERING RING FOR HYDR. MOTOR - MEC GR3  | 1  |
| AM128       | 5060010020 | POMOLO LEVA SPECIALE UNI 707 M14X25      | HANDLE KNOB - D 14X25 EN 707             | 2  |
| AM129       | 4011912012 | PERNO MANIGLIA UNI 707 MEC 2/8000-STAR   | HANDLE PIN - MEC 2-8000 STAR - EN 707    | 1  |
| AM130       | 4010007034 | SOSTEGNO MANIGLIA UNI 707 MEC 5-6,5-8000 | SUPPORT FOR HANDLE UNI 707 MEC 5-8000    | 1  |
| AM131       | 4010801025 | MANIGLIA UNI 707 MEC 2000-8000           | HANDLE - MEC 2-8000 EN707                | 1  |
| AM132       | 5050107022 | VITE M 10X40 TE                          | SCREW M 10X40 TE                         | 1  |
| AM133       | 5050207004 | RONDELLA D 10                            | WASHER D 10                              | 2  |
| AM134       | 5050300009 | DADO AUTOBLOCCANTE M 10                  | SELF-LOCKING NUT - M 10                  | 1  |
| AM135       | 5060010001 | POMOLO MANIGLIA WPT-SE-STAR              | HANDLE KNOB - D 3/8" GAS                 | 1  |
| AM136       | 4011912001 | PERNO MANIGLIA STAR-WPT                  | HANDLE PIN - STAR-WPT                    | 1  |
| AM137       | 4011907050 | PERNO COLL. ATT. MEC5-8000(SE 6500-8000) | CONNECTION PIN - SE 6500-8000            | 1  |
| AM138       | 5050307004 | DADO M 12                                | NUT - M 12                               | 1  |
| AM139       | 5090000050 | CILINDRO ROTATIVO PNEUMATICO DA 60 PLUS  | PNEUM. REV. CYLINDER - DA 60- PUMPS - P  | 1  |
| AM140       | 4011001047 | SUPPORTO ATTUATORE PNEUM. MEC 5000 PLUS  | PNEUM. REV. CYLINDER SUPP. (PLUS) - MEC5 | 1  |
| AM141       | 4010701004 | CONO INVERTITORE MEC 5-8000 -SE 6,5-8000 | REVERSING GEAR - MEC 5-8000 - SE 8000    | 1  |
| AM142       | 5050107006 | VITE M 6X20 TE                           | SCREW M 6X20 TE                          | 4  |
| AM143       | 5050207002 | RONDELLA D 6                             | WASHER D 6                               | 4  |
| AM144       | 4010801031 | MANIGLIA IDRAULICA MEC 2000-8000         | HANDLE - MEC 2000-8000 HYDRAULIC         | 1  |
| AM145       | 5090000005 | PISTONE PER MANIGLIA IDR. - MEC 5-8000   | PISTON - HYDR. HANDLE - MEC 5-8000       | 1  |
| AM146       | 4011907087 | SPINOTTO LATERALE MEC 5-8000 CIL.IDRAUL. | SIDE PIN FOR HYDR.HANDLE MEC 5-8000      | 1  |
| AM147       | 4011001069 | SUPPORTO CILINDRO IDR.(PISTONE)MEC5-8000 | HYDR. HANDLE SUPPORT MEC 5-8000          | 1  |
| AM148       | 5050507021 | COPPIGLIA A MOLLA 2.5X58                 | COTTER PIN 2.5X58                        | 1  |
| AM149       | 5050300013 | DADO AUTOBLOCCANTE M 12 BASSO - DIN 985  | SELF-LOCKING NUT M 12                    | 1  |
| AM123       | 6010201006 | KIT REVISIONE POMPA MEC 5000 STANDARD    | REBUILD KIT - MEC 5000 STANDARD          | 1  |
| AME123      | 6010201007 | KIT REVISIONE POMPA MEC 6500 STANDARD    | REBUILD KIT - MEC 6500 STANDARD          | 1  |
| AMEC123     | 6010201008 | KIT REVISIONE POMPA MEC 8000 STANDARD    | REBUILD KIT - MEC 8000 STANDARD          | 1  |
| AM123/SP    | 6010201019 | KIT REVISIONE POMPA MEC 5000 LONG LIFE   | REBUILD KIT - MEC 5000 LONG LIFE         | 1  |
| AME123/SP   | 6010201020 | KIT REVISIONE POMPA MEC 6500 LONG LIFE   | REBUILD KIT - MEC 6500 LONG LIFE         | 1  |
| AMEC123/SP  | 6010201021 | KIT REVISIONE POMPA MEC 8000 LONG LIFE   | REBUILD KIT - MEC 8000 LONG LIFE         | 1  |
| AME123/SC   | 6010201067 | KIT REVISIONE POMPA MEC 6500 M S.C.      | REBUILD KIT - MEC 6500 M SC              | 1  |
| AMEC123/SC  | 6010201068 | KIT REVISIONE POMPA MEC 8000 M S.C.      | REBUILD KIT - MEC 8000 M SC              | 1  |
| AM123/BAL   | 6010201072 | KIT REVISIONE POMPA MEC 5000 BALLAST     | REBUILD KIT - MEC 5000 BALLAST           | 1  |
| AME123/BAL  | 6010201073 | KIT REVISIONE POMPA MEC 6500 BALLAST     | REBUILD KIT - MEC 6500 BALLAST           | 1  |
| AMEC123/BAL | 6010201057 | KIT REVISIONE POMPA MEC 8000 BALLAST     | REBUILD KIT - MEC 8000 BALLAST           | 1  |
| LUBR_OIL    | 5070200100 | OLIO BATTIONI PAGANI POMPE (5LT)         | BATTIONI PAGANI VACUUM PUMP OIL (5LT)    | 1  |

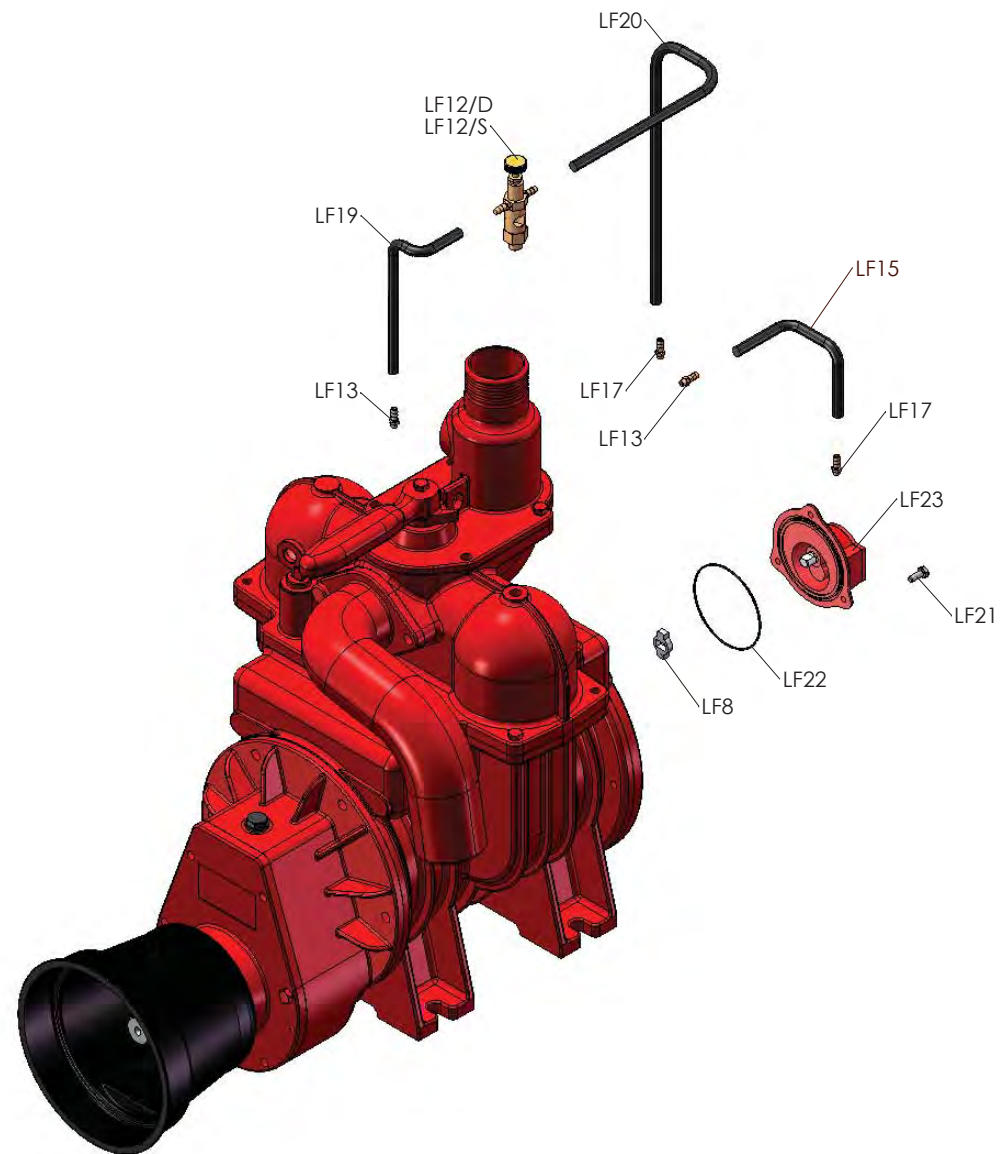




Battioni®  
Pagani  
Pompe

# Forced lubrication MEC 6500-8000

Rel. 0 dated 01/03/2012

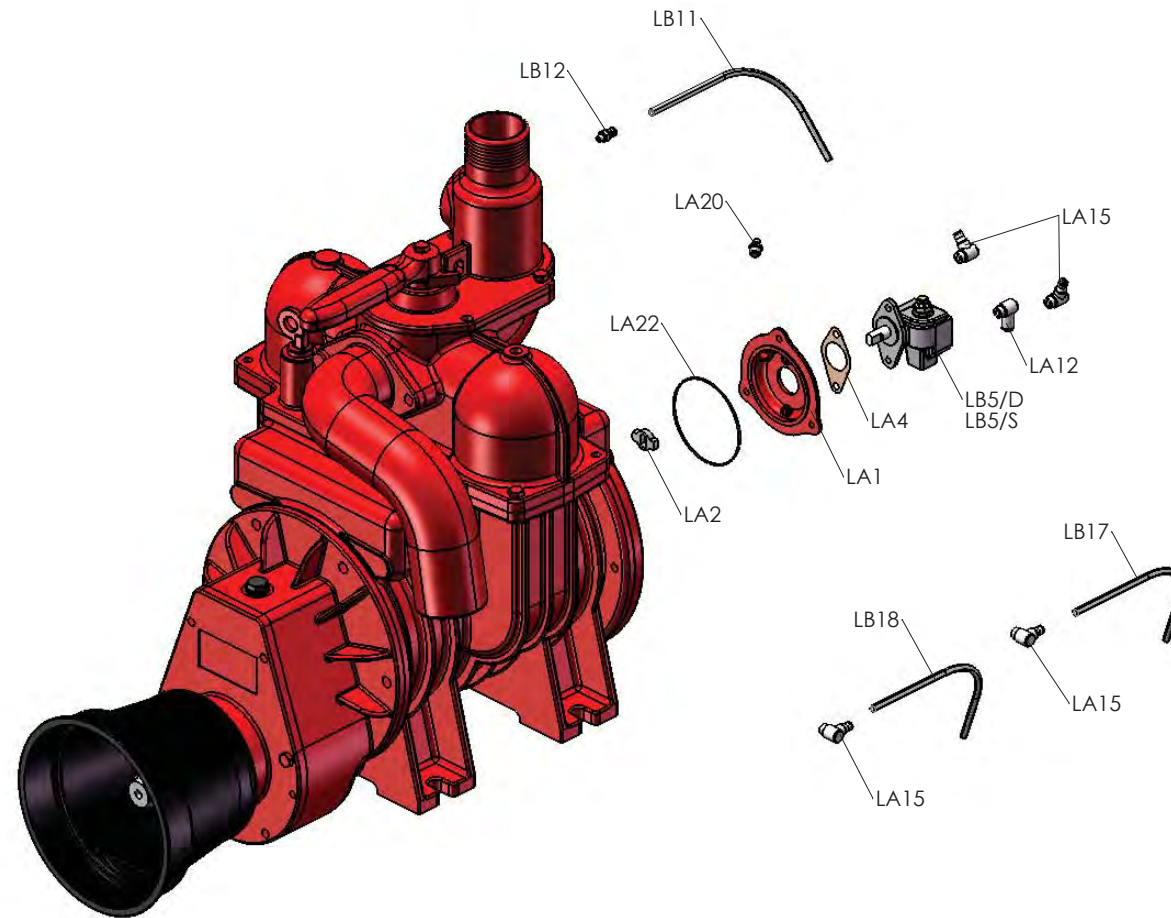




Battioni®  
Pagani  
Pompe

# Automatic lubrication MEC 6500-8000

Rel. 0 dated 01/03/2012





| Ref.    | Code       | Descrizione                              | Description                            | Qty  |
|---------|------------|--|--|------|
| LA1     | 4010601022 | COPERCHIO POSTERIORE POMPA OLIO MEC LA   | OIL PUMP SUPPORT BACK COVER - MEC LA.  | 1    |
| LA4     | 4030108011 | GUARN. POMPA OLIO LA.                    | OIL PUMP GASKET - LA.                  | 1    |
| LA5/D   | 5080200033 | POMPA LA 1 MAND. AL DX IIS               | OIL PUMP - LA 1 WAYS AL DX IIS         | 1    |
| LA5/S   | 5080200034 | POMPA LA 1 MAND. AL SX IIS               | OIL PUMP - LA 1 WAYS AL SX IIS         | 1    |
| LA7     | 5050107005 | VITE M 6X16 TE                           | SCREW - M 6X16 TE                      | 5    |
| LA11    | 5080105002 | TUBO LUBRIFICAZIONE D 4X6 - RILSAN       | SUCTION HOSE - D 4X6                   | 0,24 |
| LA12    | 5040303007 | RACCORDO D 1/8"X6X90° RILSAN             | CONNECTOR - D 1/8"X6X90° RILSAN        | 2    |
| LC12    | 5040303027 | RACCORDO DRITTO D 1/8"X6 RILSAN - F.CON. | STRAIGHT CONNECTOR - D 1/8"X6 RILSAN   | 1    |
| LA13    | 5080105001 | TUBO LUBRIFICAZIONE D 2X4 - RILSAN       | LUBRICATION HOSE - D 2X4               | 0,47 |
| LA14    | 5040407001 | RIDUZIONE D 1/4"X1/8" GAS                | REDUCTION - D 1/4"X1/8" GAS            | 1    |
| LA15    | 5040303008 | RACCORDO D 1/8"X4X90° RILSAN             | CONNECTOR - D 1/8"X4X90° RILSAN        | 4    |
| LA2     | 4010006002 | GIUNTO DI COLLEGAMENTO L.F.              | CONNECTOR JOINT - L.F.                 | 1    |
| LA20    | 5050812001 | INGRASSATORE M 10X1                      | LUBRICATOR - M 10X1                    | 1    |
| LA22    | 4030108005 | GUARN. COPERCHIO POSTERIORE MEC 2-8000   | BACK COVER GASKET - MEC 2-8000         | 1    |
| LA23    | 5050207002 | RONDELLA D 6                             | SMOOTH WASHER - D 6                    | 5    |
| LA24    | 5030210028 | ANELLO TENUTA OR 2337 POMPA LF           | SEAL RING - OR 86824 LF PUMP           | 1    |
| LA25    | 5080004004 | FASCETTA STRINGITUBO D 6 LA              | HOSE CLAMP - D 6 LA                    | 1    |
| LA26    | 5050903001 | TAPPO M 10x1 - DIN 906                   | PLUG M 10x1                            | 1    |
| LA27    | 5050906001 | TAPPO D 1/4" GAS                         | PLUG - D 1/4" GAS                      | 1    |
| LA28    | 5050202003 | RONDELLA D 1/4" GAS ALLUMINIO            | ALUMINIUM WASHER - D 1/4" GAS          | 1    |
| LA29    | 5080105003 | TUBO LUBRIFICAZIONE D4X6 TEFLON-MEC9000  | SUCTION HOSE - D 4X6 TEFLON - MEC9000  | 0,50 |
| LA30    | 5080105003 | TUBO LUBRIFICAZIONE D4X6 TEFLON-MEC11000 | SUCTION HOSE - D 4X6 TEFLON - MEC11000 | 0,55 |
| LA31    | 5080105003 | TUBO LUBRIFICAZIONE D4X6 TEFLON-MEC13500 | SUCTION HOSE - D 4X6 TEFLON - MEC13500 | 0,60 |
| LA32    | 5050107108 | VITE M 8X25 TEF - FL/ZIGR 8.8 -          | SCREW - M 8X25 TEF - FL/ZIGR 8.8       | 2    |
| LA33    | 5060105003 | LIVELLO OLIO COMPLETO SLV 127            | COMPLETE OIL LEVEL - SLV 127           | 1    |
| LA34    | 4011001074 | SUPPORTO SERBATOIO LATER. MEC 9-11-13500 | SIDE TANK SUPPORT - MEC 9-13500        | 1    |
| LA35    | 4060310001 | PASSATUBO CHIUSO                         | CLOSED TUBE-PASS                       | 1    |
| LA36    | 5060605007 | TAPPO CARICO OLIO D 1"1/4 GAS            | OIL PLUG - D 1"1/4 GAS                 | 1    |
| LA37/DX | 4011406010 | SERBATOIO OLIO LATERALE STAR DX          | SIDE OIL TANK - STAR RIGHT             | 1    |
| LA37/SX | 4011406009 | SERBATOIO OLIO LATERALE STAR SX          | SIDE OIL TANK - STAR LEFT              | 1    |
| LB11    | 5080105002 | TUBO LUBRIFICAZIONE D 4X6 - RILSAN       | SUCTION HOSE - D 4X6                   | 0,26 |
| LB12    | 5040303011 | RACCORDO DRITTO D 1/8"X6 RILSAN          | STRAIGHT CONNECTOR - D 1/8"X6 RILSAN   | 1    |
| LB16    | 5080105001 | TUBO LUBRIFICAZIONE D 2X4 - RILSAN       | LUBRICATION HOSE - D 2X4               | 0,69 |
| LB17    | 5080105001 | TUBO LUBRIFICAZIONE D 2X4 - RILSAN       | LUBRICATION HOSE - D 2X4               | 0,29 |
| LB18    | 5080004002 | FASCETTA STRINGITUBO D 4 LA              | HOSE CLAMP - D 4                       | 1    |
| LB5/D   | 5080200036 | POMPA LA 2 MAND. AL DX IIS               | OIL PUMP - LA 2 WAYS AL DX IIS         | 1    |
| LB5/S   | 5080200038 | POMPA LA 2 MAND. AL SX IIS               | OIL PUMP - LA 2 WAYS AL SX IIS         | 1    |
| LC1     | 4010606017 | COPERCHIO POSTERIORE MEC 1000-1600 LA    | BACK COVER - MEC 1000-1600 LA          | 1    |
| LC13    | 5080105001 | TUBO LUBRIFICAZIONE D 2X4 - RILSAN       | LUBRICATION HOSE - D 2X4               | 0,42 |
| LC22    | 4030108002 | GUARN. COPERCHIO POSTERIORE MEC 1-1600   | BACK COVER GASKET - MEC 1-1600         | 1    |
| LF8     | 4010006002 | GIUNTO DI COLLEGAMENTO L.F.              | CONNECTOR JOINT - L.F.                 | 1    |
| LF12/D  | 5040200003 | RUBINETTO REGOLATORE OLIO 2 VIE X 180°   | DRAIN COCK - 2 WAYS X 180°             | 1    |
| LF12/S  | 5040200007 | RUBINETTO REGOLATORE OLIO 2 VIE X 60°    | DRAIN COCK - 2 WAYS X 60°              | 1    |
| LF13    | 5040303004 | RACCORDO PORTATUBO M 10X1 LF             | CONNECTOR - M 10X1 LF                  | 2    |
| LF14    | 5080110002 | TUBO IN GOMMA D 5X10.5                   | RUBBER HOSE - D 5X10.5                 | 0,17 |
| LF15    | 5080110002 | TUBO IN GOMMA D 5X10.5                   | RUBBER HOSE - D 5X10.5                 | 0,17 |
| LF16    | 5080110002 | TUBO IN GOMMA D 5X10.5                   | RUBBER HOSE - D 5X10.5                 | 0,4  |
| LF17    | 5040303013 | RACCORDO PORTATUBO M 6X1 LF              | CONNECTOR - M 6X1 LF                   | 2    |
| LF19    | 5080110002 | TUBO IN GOMMA D 5X10.5                   | RUBBER HOSE - D 5X10.5                 | 0,21 |
| LF20    | 5080110002 | TUBO IN GOMMA D 5X10.5                   | RUBBER HOSE - D 5X10.5                 | 0,47 |
| LF21    | 5050107005 | VITE M 6X16 TE                           | SCREW - M 6X16 TE                      | 3    |
| LF22    | 5030210028 | ANELLO TENUTA OR 2337 POMPA LF           | SEAL RING - OR 86824 LF PUMP           | 1    |
| LF23    | 6080200001 | POMPA LF MEC 2-8000                      | PUMP - LF MEC 2-8000                   | 1    |
| LF24    | 5080004003 | FASCETTA STRINGITUBO D 10 LF             | HOSE CLAMP - D 10 LF -AGRI-            | 1    |
| LF25    | 5080110002 | TUBO DI ASPIRAZIONE D5X10,5 - MEC9000    | RUBBER HOSE D5X10,5 - MEC9000          | 0,50 |
| LF26    | 5080110002 | TUBO DI ASPIRAZIONE D5X10,5 - MEC11000   | RUBBER HOSE D5X10,5 - MEC11000         | 0,55 |
| LF27    | 5080110002 | TUBO DI ASPIRAZIONE D5X10,5 - MEC13500   | RUBBER HOSE D5X10,5 - MEC13500         | 0,60 |
| LF29    | 5060605007 | TAPPO CARICO OLIO D 1"1/4 GAS            | OIL PLUG - D 1"1/4 GAS                 | 1    |



|         |            |  |                                  |   |
|---------|------------|--|----------------------------------|---|
| LF30    | 4060310001 | PASSATUBO CHIUSO                         | CLOSED TUBE-PASS                 | 1 |
| LF31/DX | 4011406010 | SERBATOIO OLIO LATERALE STAR DX          | SIDE OIL TANK - STAR RIGHT       | 1 |
| LF31/SX | 4011406009 | SERBATOIO OLIO LATERALE STAR SX          | SIDE OIL TANK - STAR LEFT        | 1 |
| LF32    | 5060105003 | LIVELLO OLIO COMPLETO SLV 127            | COMPLETE OIL LEVEL - SLV 127     | 1 |
| LF33    | 4011001074 | SUPPORTO SERBATOIO LATER. MEC 9-11-13500 | SIDE TANK SUPPORT - MEC 9-13500  | 1 |
| LF34    | 5050107108 | VITE M 8X25 TEF - FL/ZIGR 8.8 -          | SCREW - M 8X25 TEF - FL/ZIGR 8.8 | 2 |