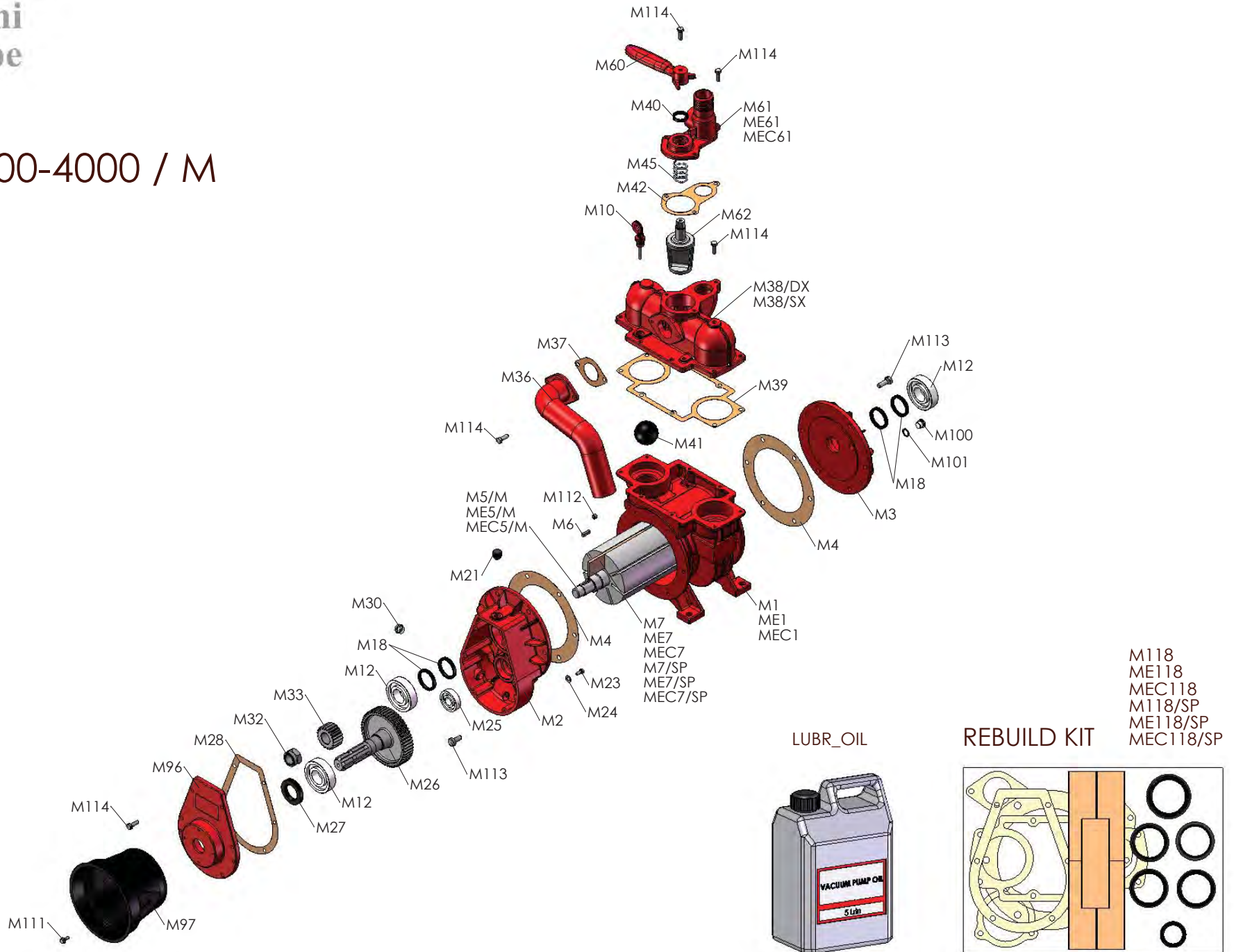




**Battioni®**  
**Pagani**  
**Pompe**

# MEC 2000-3000-4000 / M

Rel. 0 dated 01/03/2012

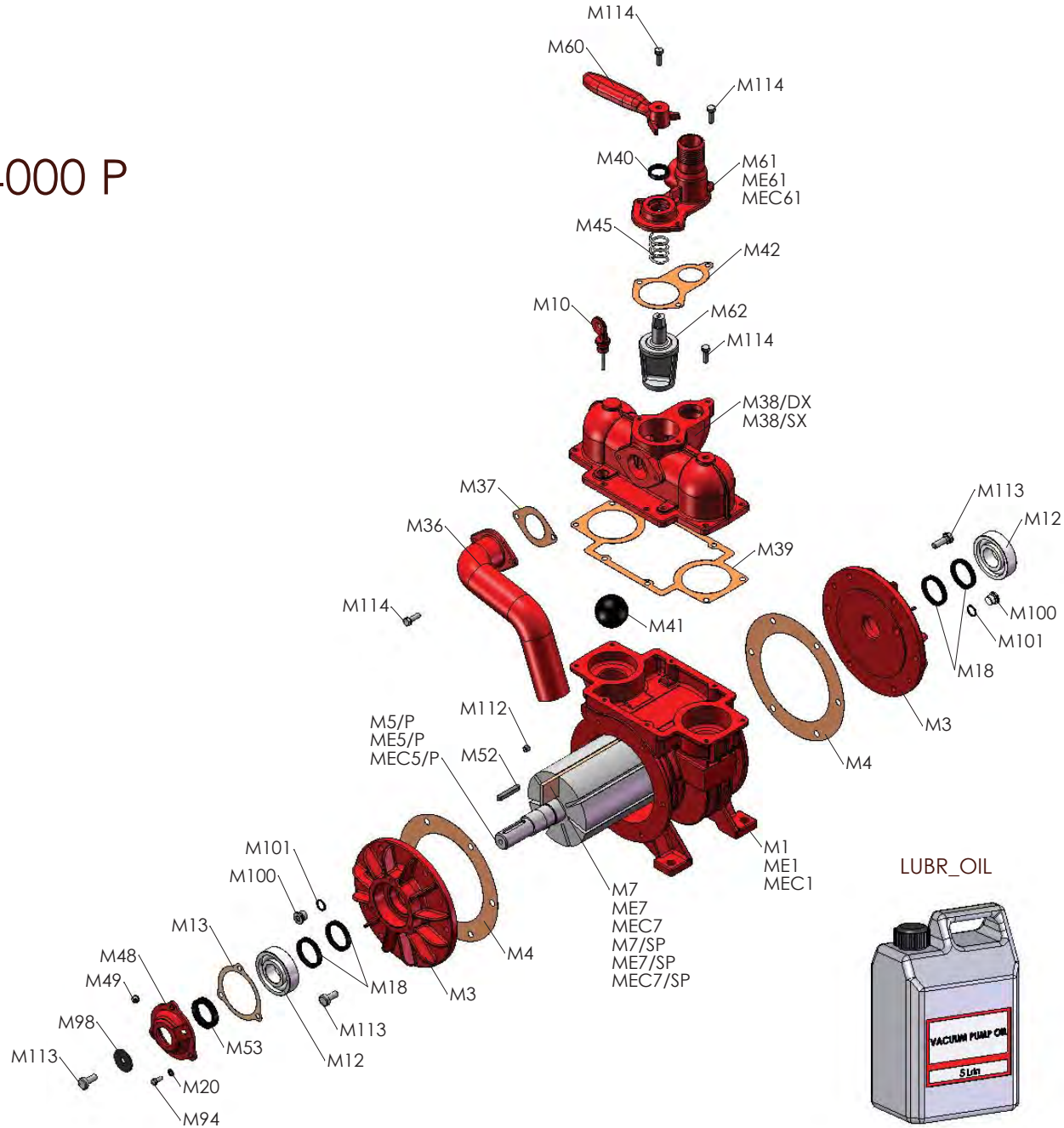




**Battioni®  
Pagani  
Pompe**

# MEC 2000-3000-4000 P

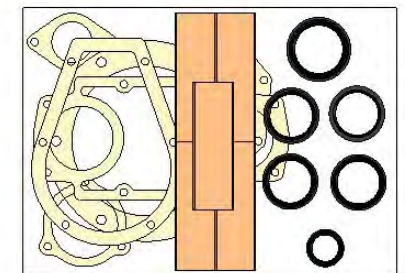
Rel. 0 dated 01/03/2012



LUBR\_OIL



REBUILD KIT



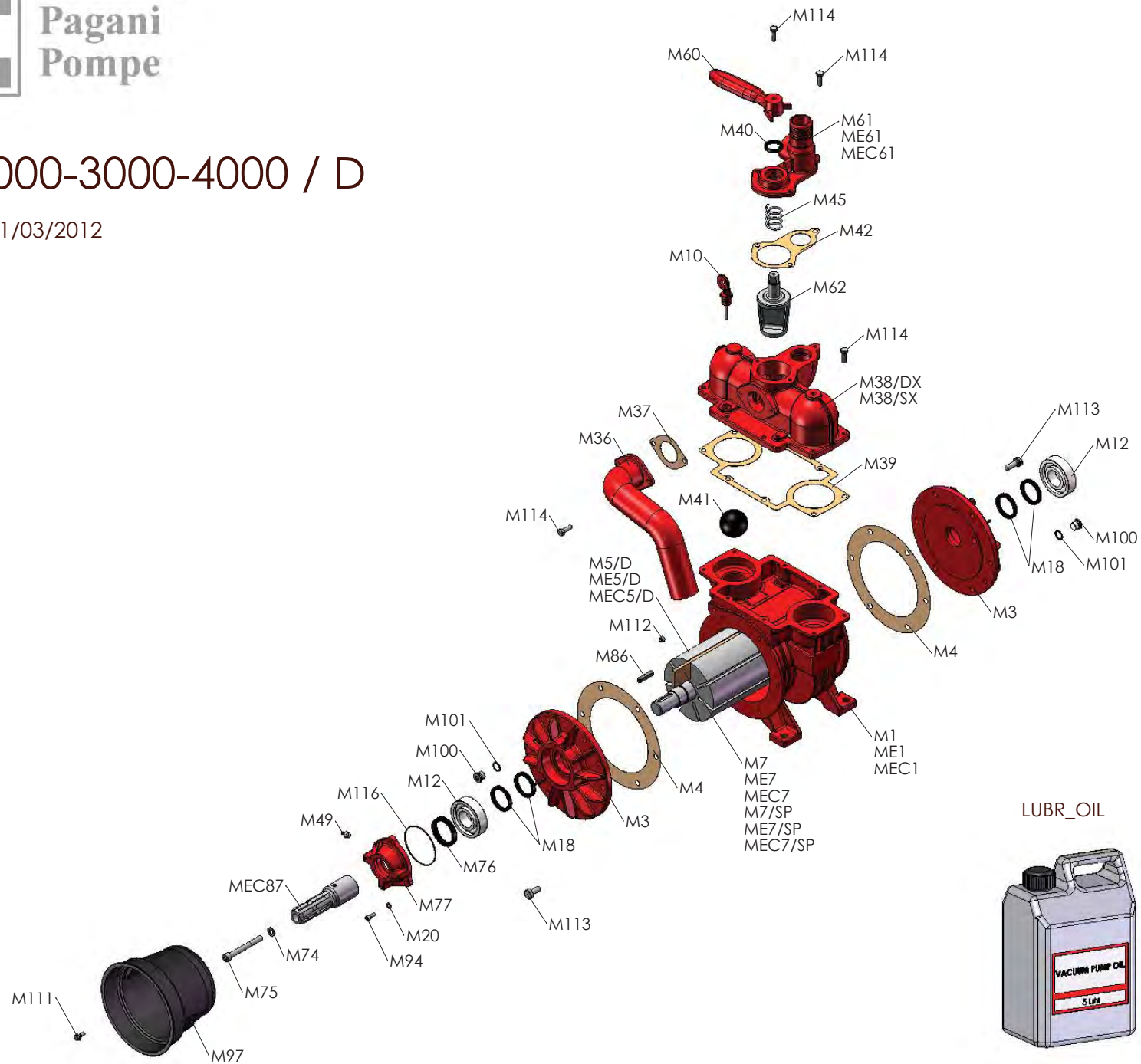
M118  
ME118  
MEC118  
M118/SP  
ME118/SP  
MEC118/SP



**Battioni®  
Pagani  
Pompe**

# MEC 2000-3000-4000 / D

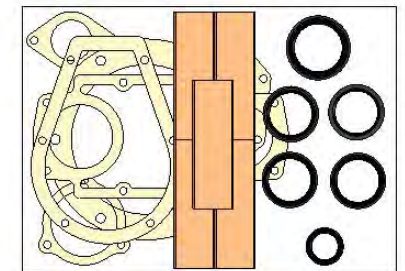
Rel. 0 dated 01/03/2012



LUBR\_OIL



REBUILD KIT



M118  
ME118  
MEC118  
M118/SP  
ME118/SP  
MEC118/SP

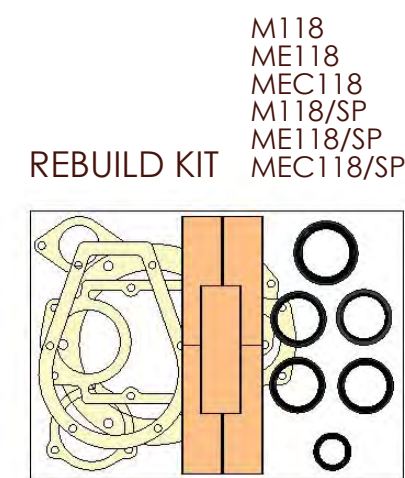
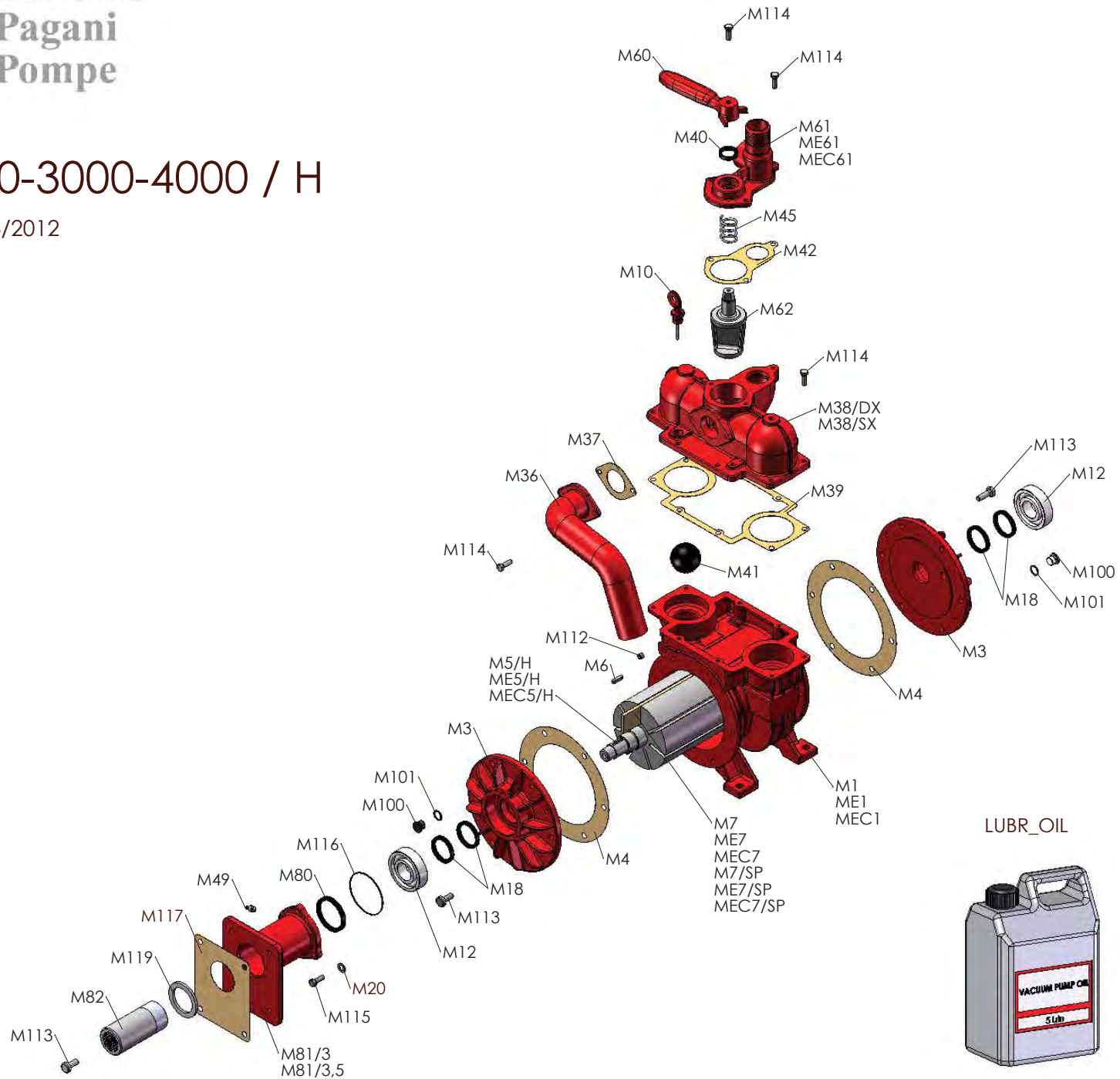




**Battioni®  
Pagani  
Pompe**

# MEC 2000-3000-4000 / H

Rel. 0 dated 01/03/2012

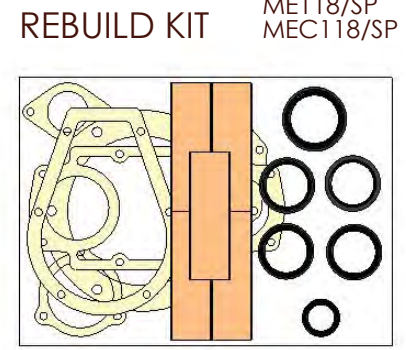
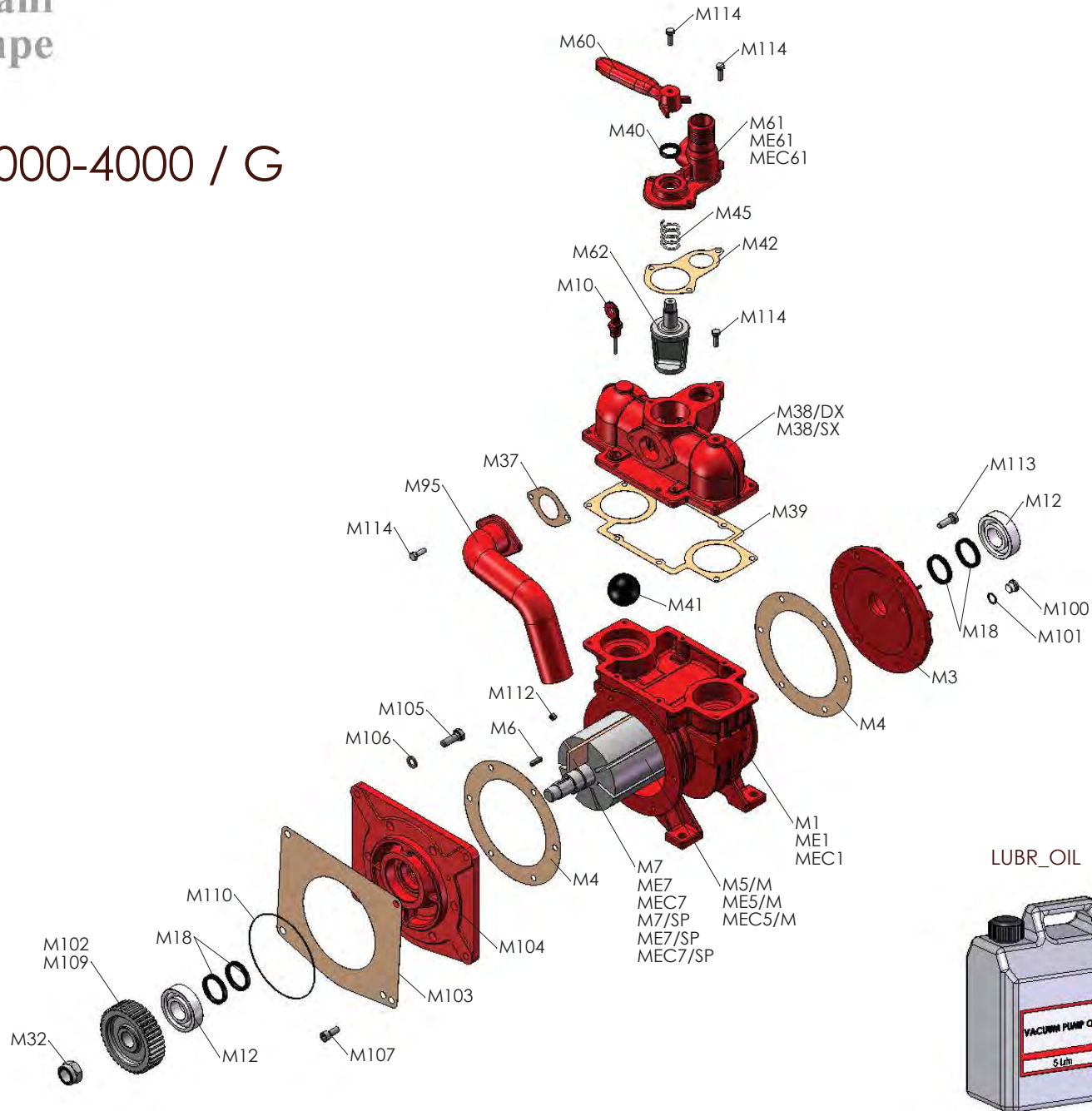




**Battioni®  
Pagani  
Pompe**

# MEC 2000-3000-4000 / G

Rel. 0 dated 01/03/2012

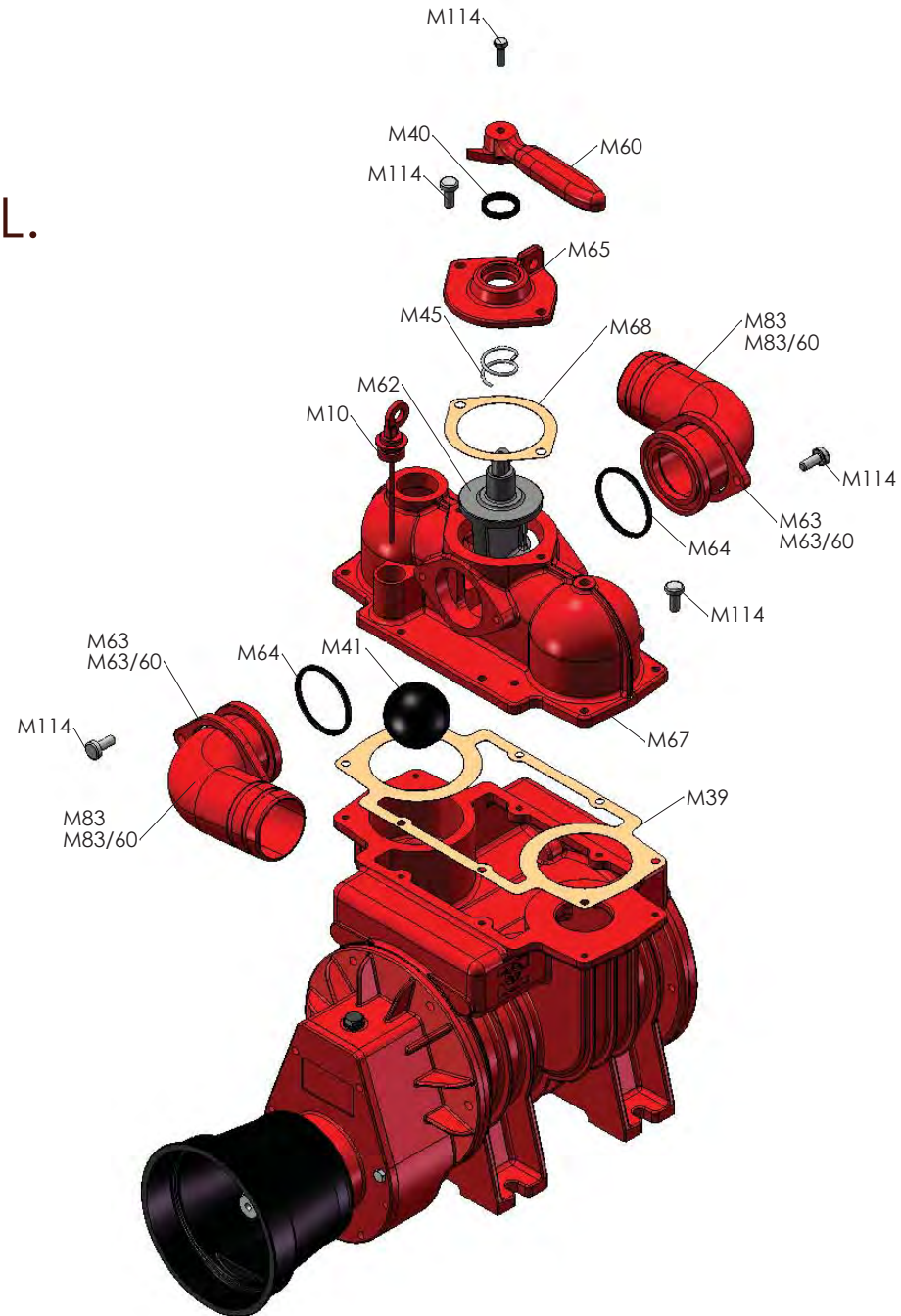




**Battioni®**  
**Pagani**  
**Pompe**

# MEC 2000-3000-4000 / U.L.

Rel. 0 dated 01/03/2012

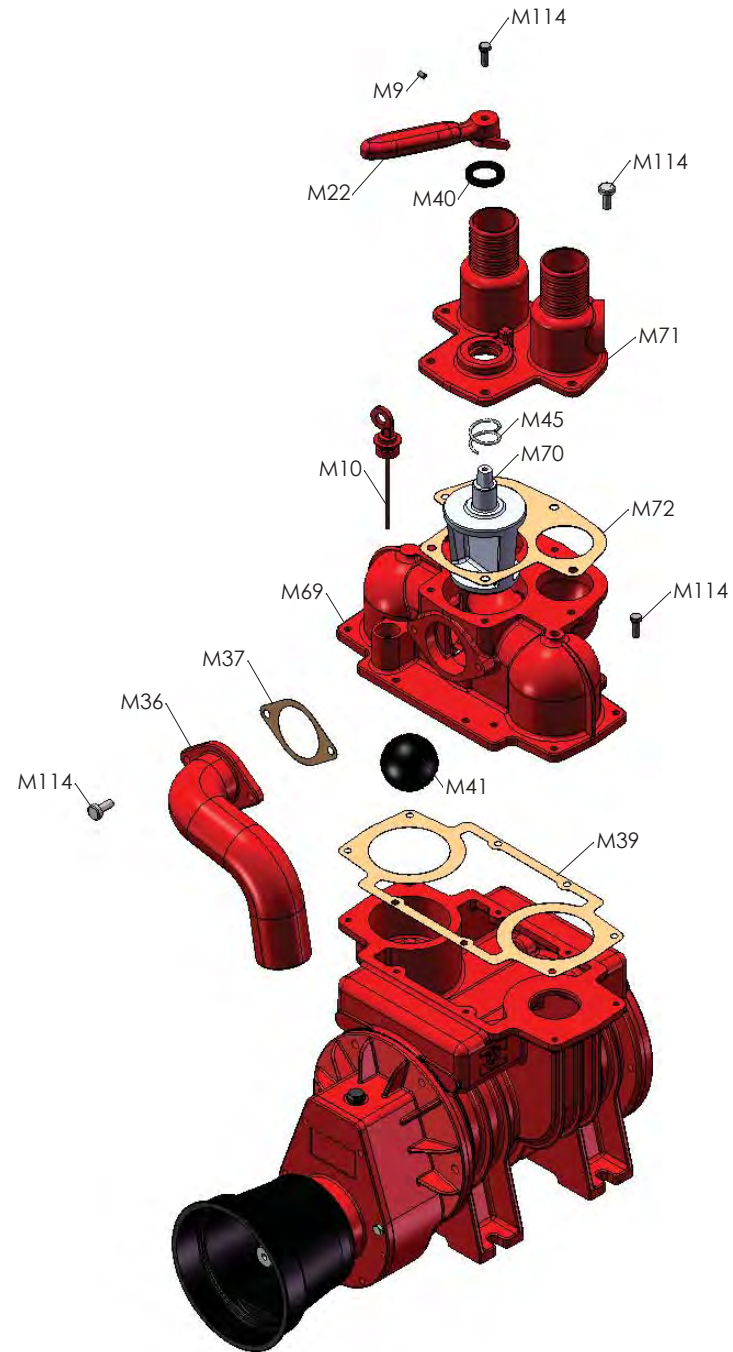




Battioni®  
Pagani  
Pompe

# MEC 2000-3000-4000 D.U.

Rel. 0 dated 01/03/2012



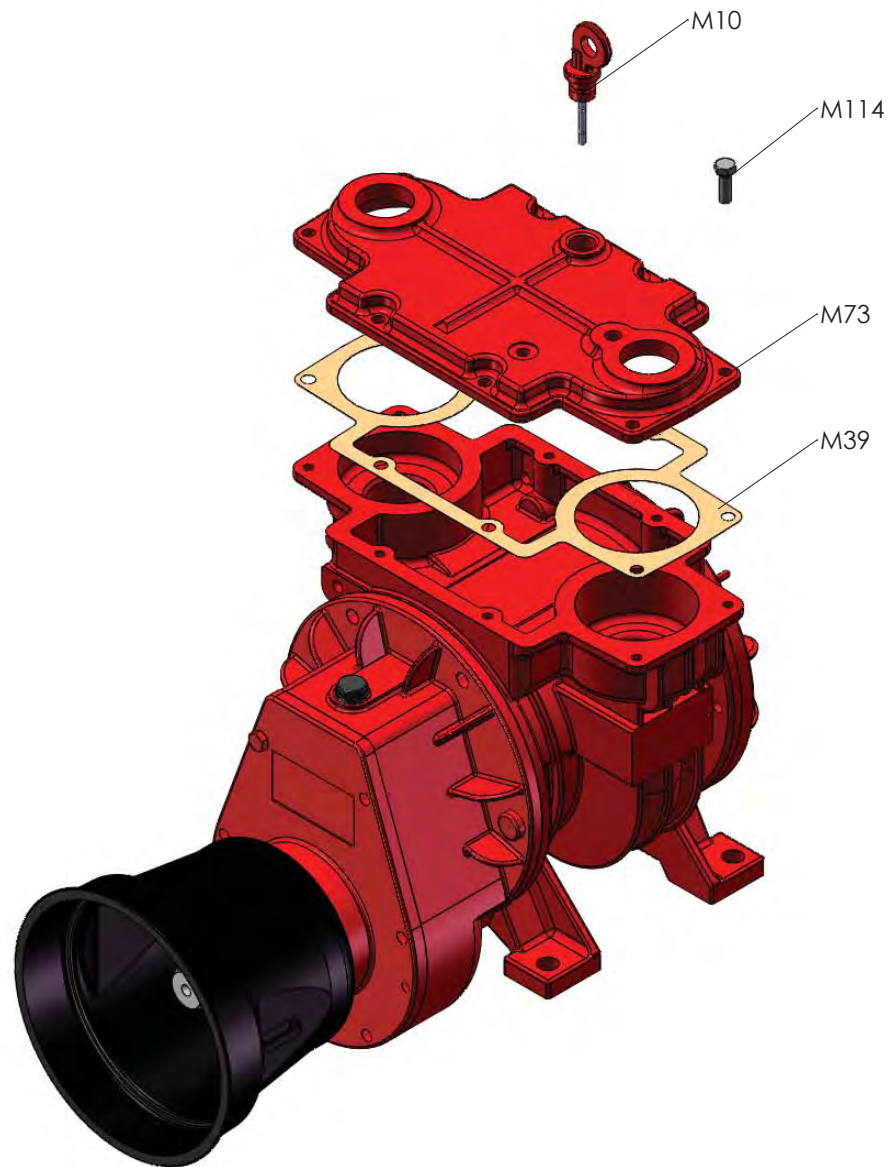




Battioni®  
Pagani  
Pompe

## MEC 2000-3000-4000 S.C.

Rel. 0 dated 01/03/2012



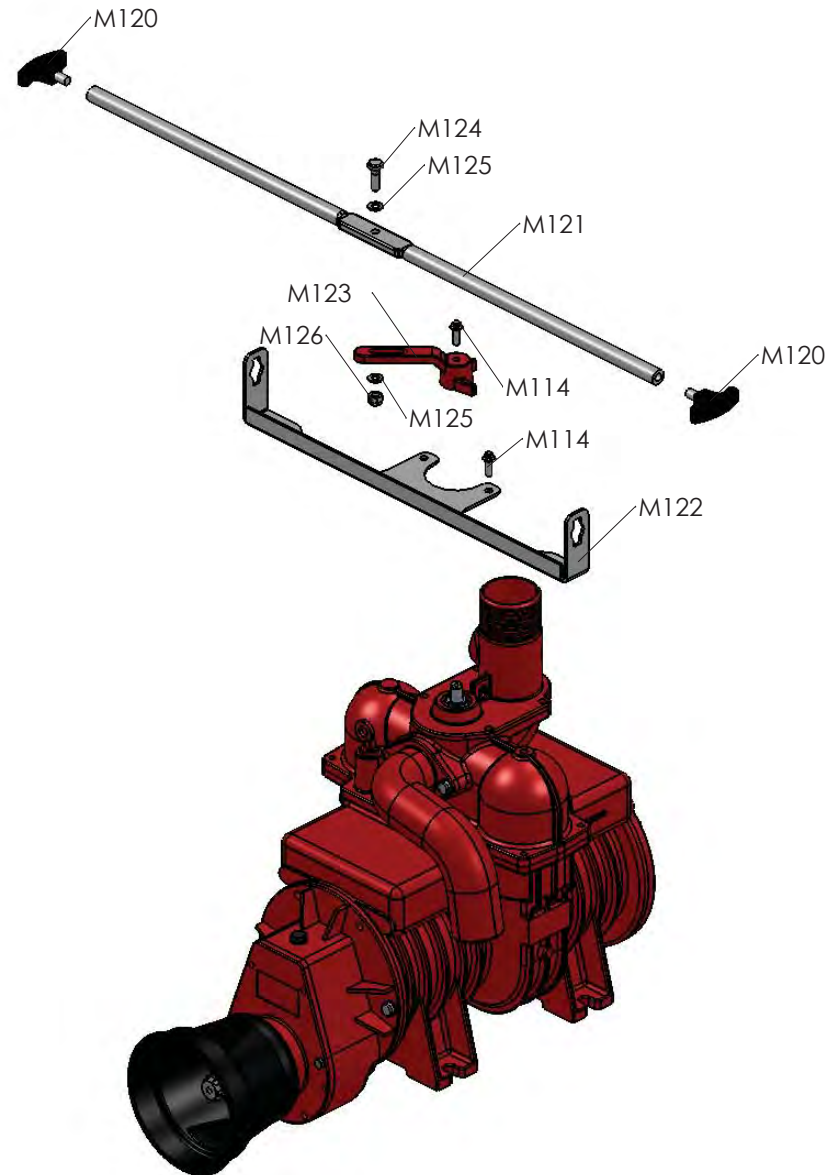




**Battioni®**  
**Pagani**  
**Pompe**

# MEC 2000-3000-4000 CON LEVA UNI 707

Rel. 0 dated 01/03/2012

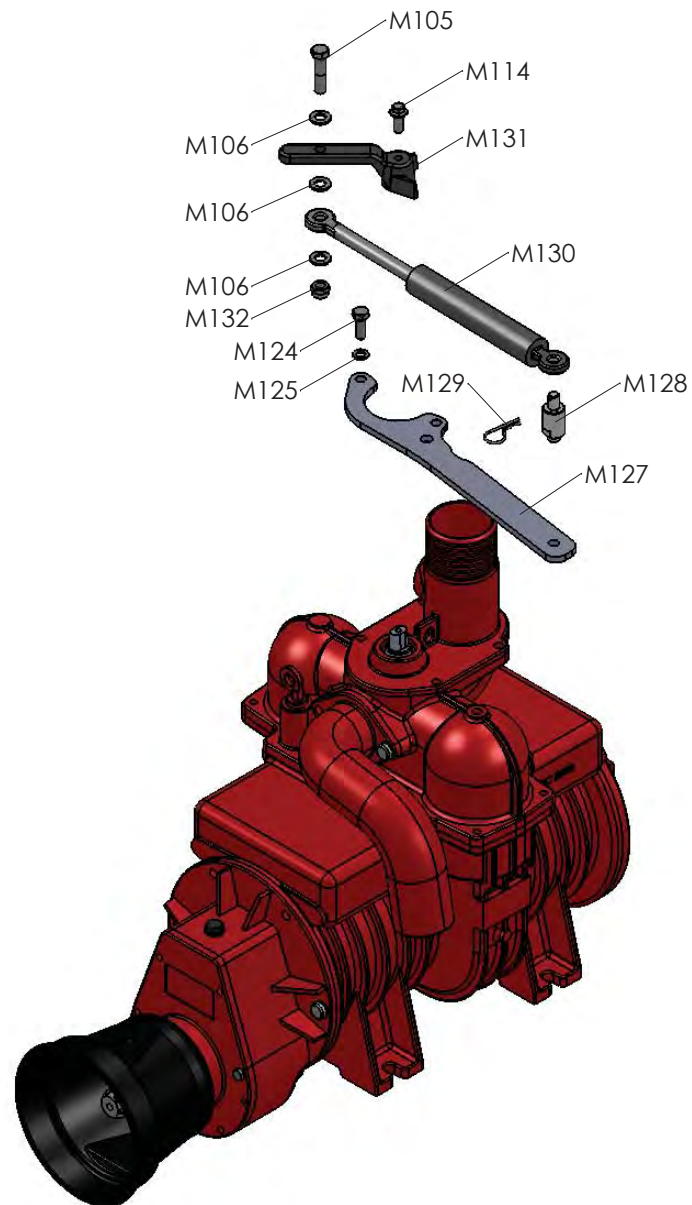




Battioni®  
Pagani  
Pompe

# MEC 2000-3000-4000 HYDRAULIC HOUSING

Rel. 0 dated 01/03/2012





Ref.	Code	Descrizione	Description	Qty
M1	4010101003	CORPO POMPA MEC 2000	HOUSING - MEC 2000	1
ME1	4010101004	CORPO POMPA MEC 3000	HOUSING - MEC 3000	1
MEC1	4010101005	CORPO POMPA MEC 4000	HOUSING - MEC 4000	1
M2	4010301002	SCATOLA MOLT. MEC 2-3-4000/M	GEARBOX - MEC 2-3-4000/M	1
M3	4010401002	FLANGIA ANT. POST. MEC 2000-3000-4000	FRONT AND BACK FLANGE - MEC 2-3000-4000	2
M3/H	4010401004	FLANGIA ANTERIORE MEC 2000-3000-4000/H	FRONT FLANGE - MEC 2000-3000-4000/H	1
M4	4030108004	GUARN. FLANGIA MEC 2-4000	FLANGE GASKET - MEC 2-4000	2
M5/M	4010220005	ROTORE MEC 2000/M	ROTOR - MEC 2000/M	1
MES/M	4010220006	ROTORE MEC 3000/M	ROTOR - MEC 3000/M	1
MEC5/M	4010220007	ROTORE MEC 4000/M	ROTOR - MEC 4000/M	1
M5/P	4010220008	ROTORE MEC 2000/P	ROTOR - MEC 2000/P	1
MES/P	4010220009	ROTORE MEC 3000/P	ROTOR - MEC 3000/P	1
MEC5/P	4010220010	ROTORE MEC 4000/P	ROTOR - MEC 4000/P	1
M5/D	4010220068	ROTORE MEC 2000/D	ROTOR - MEC 2000/D	1
MES/D	4010220069	ROTORE MEC 3000/D	ROTOR - MEC 3000/D	1
MEC5/D	4010220070	ROTORE MEC 4000/D	ROTOR - MEC 4000/D	1
M5/H	4010220078	ROTORE MEC 2000/H	ROTOR - MEC 2000/H	1
MES/H	4010220079	ROTORE MEC 3000/H	ROTOR - MEC 3000/H	1
MEC5/H	4010220080	ROTORE MEC 4000/H	ROTOR - MEC 4000/H	1
M6	5050707002	CHIAVETTA 6X6X25	KEY - 6X6X25	1
M7	4070113003	PALETTA STANDARD - MEC 2000 180X41X6.5	STANDARD BLADE - MEC 2000 180X41X6.5	7
ME7	4070113004	PALETTA STANDARD - MEC 3000 240X41X6.5	STANDARD BLADE - MEC 3000 240X41X6.5	7
MEC7	4070113005	PALETTA STANDARD - MEC 4000 300X41X6.5	STANDARD BLADE - MEC 4000 300X41X6.5	7
M7/SP	4070113120	PALETTA LONG LIFE - MEC 2000 180X41X6.5	LONG LIFE BLADE - MEC 2000 180X41X6.5	7
ME7/SP	4070113121	PALETTA LONG LIFE - MEC 3000 240X41X6.5	LONG LIFE BLADE - MEC 3000 240X41X6.5	7
MEC7/SP	4070113122	PALETTA LONG LIFE - MEC 4000 300X41X6.5	LONG LIFE BLADE - MEC 4000 300X41X6.5	7
M9	5051007001	GRANO M 6X10	DOWEL - M 6X10	1
M10	5060100001	ASTA LIVELLO OLIO 18X55 MM	OIL LEVEL ROD - MM 18X55	1
M12	5012107010	CUSCINETTO A SFERE 6307	BALL BEARING - 6307	3
M13	4030108005	GUARN. COPERCHIO POSTERIORE MEC 2-8000	BACK COVER GASKET - MEC 2-8000	1
M18	5030300004	PARAOLIO 40X52X7	OIL SEAL - 40X52X7	4
M20	5050207002	RONDELLA D 6	SMOOTH WASHER - D 6	4
M21	5060605001	TAPPO CARICO OLIO D 3/8" GAS	OIL PLUG - D 3/8" GAS	1
M22	4010801001	MANIGLIA MEC 1-1600	HANDLE - MEC 1-1600	1
M23	5050107011	VITE M 8X16 TE	SCREW - M 8X16 TE	1
M24	5050202001	RONDELLA D 8X12X1,5 ALLUMINIO	ALUMINIUM WASHER - D 8X12X1,5	1
M25	5012107006	CUSCINETTO A SFERE 6304	BALL BEARING - 6304	1
M26	4020507002	INGR. CON ALBERO MEC 2-5000 Z55-M2,5	GEAR WITH SHAFT - Z55-M2,5 MEC 2-5000	1
M27	5030300005	PARAOLIO 35X62X10	OIL SEAL - 35X62X10	1
M28	4030108006	GUARN. COPERCHIO SCAT. MOLT. MEC 2-8000	GEARBOX COVER GASKET - MEC 2-8000	1
M30	5060105004	TAPPO LIVELLO OLIO D 3/8" GAS	OIL LEVEL PLUG - D 3/8" GAS	1
M32	5050300001	DADO AUTOBLOCCANTE M 24X2X15	SELF-LOCKING NUT - M 24X2	1
M33	4020607002	PIGNONE MEC 2-5000 Z21-M2,5	PINION - Z21-M2,5 MEC 2-5000	1
M36	4010901002	CURVA DI SCARICO MEC 2-4000	EXHAUST ELBOW - MEC 2-4000	1
M37	4030110002	GUARN. LATERALE COLL. MEC 2-4000	MANIFOLD SIDE GASKET - MEC 2-4000	1
M38/DX	4010501002	COLLETTORE MEC 2-3-4000	MANIFOLD - MEC 2-4000	1
M38/SX	4010501024	COLLETTORE MEC 2-3-4000 SINISTRO	MANIFOLD - MEC 1000-1600 CCW	1
M39	4030109003	GUARN. COLLETTORE MEC 2-4000	MANIFOLD GASKET - MEC 2-4000	1
M40	5030300003	PARAOLIO 25X35X7 TC	OIL SEAL - 25X35X7	1
M41	5060410005	SFERA IN GOMMA PESANTEDE 55	RUBBER BALL - D 55	1
M42	4030109004	GUARN. COPERCHIO COLL. MEC 2-4000	MANIFOLD COVER GASKET - MEC 2-4000	1
M45	4012007001	MOLLA MEC 2-4000	SPRING - MEC 2-4000	1
M48	4010601012	COPERCHIO ANTERIORE MEC 2-3-4000/P	FRONT COVER - MEC 2-3-4000/P	1
M49	5050812001	INGRASSATORE M 10X1	LUBRICATOR - M 10X1	1
M52	5050707007	CHIAVETTA 8X7X50	KEY - 8X7X50	1
M53	5030300002	PARAOLIO 35X52X10	OIL SEAL - 35X52X10	1
M60	4010801007	MANIGLIA MEC 2-8000	HANDLE - MEC 2-8000	1
M61	4010601010	COPERCHIO COLLETTORE D 45 MEC 2000	MANIFOLD COVER - MEC 2000 D45	1



ME61	4010601011	COPERCHIO COLLETTORE D 60 MEC 3-4000	MANIFOLD COVER - MEC 3-4000 D60	1
MEC61	4010601073	COPERCHIO COLLETTORE D 76 MEC 2-3-4000	MANIFOLD COVER - D 76 MEC 2-3-4000	1
M62	4010701002	CONO INVERTITORE MEC 2-4000	REVERSING GEAR - MEC 2-4000	1
M63	4010406014	FLANGIA PREMIGURVA D 51 - MEC 2000	FLANGE FOR ELBOW - MEC 2000 D51	2
M63/60	4010406025	FLANGIA PREMIGURVA D 60 - MEC 2000	FLANGE FOR ELBOW - MEC 2000 D60	2
M64	5030210035	ANELLO TENUTA OR 6225 MEC 2000 UL	SEAL RING - OR 6225 MEC 2000 UL	2
M65	4010601107	COPERCHIO COLLETTORE MEC 2-3-4000 UL	MANIFOLD COVER - MEC 2-3-4000 UL	1
M67	4010501013	COLLETTORE MEC 2-3-4000 UL	MANIFOLD - MEC 2-4000 UL	1
M68	4030109029	GUARN. COPERCHIO COLL. MEC 2-4000 UL	MANIFOLD COVER GASKET - MEC 2-4000 UL	1
M69	4010501003	COLLETTORE MEC 2-3-4000 DU	MANIFOLD - MEC 2-4000 DU	1
M70	4010701003	CONO INVERTITORE MEC 2-4000 DU	REVERSING GEAR - MEC 2-4000 DU	1
M71	4010601013	COPERCHIO COLLETTORE MEC 2-3-4000 DU	MANIFOLD COVER - MEC 2-3-4000 DU	1
M72	4030109008	GUARN. COPERCHIO COLL. MEC 2-4000 DU	MANIFOLD COVER BASKET - MEC 2-4000 DU	1
M73	4010601062	COPERCHIO SERBATOIO OLIO MEC 2-3-4000/SC	OIL TANK COVER - MEC 2-3-4000/SC	1
M74	5050202002	RONDELLA D 10X16X1,5 ALLUMINIO	ALUMINIUM WASHER - D 10X16X1,5	1
M75	5050107125	VITE M 10X110 TCEI	SCREW - M 10X110 TCEI	1
M76	5030300032	PARAOLIO 45X60X10	OIL SEAL - 45X60X10	1
M77	4010601101	COPERCHIO ANTERIORE CE MEC 2-13500/D	FRONT COVER - CE MEC 2-4000/D	1
M80	5030300013	PARAOLIO 55X68X8	OIL SEAL - 55X68X8	1
M81/3	4011001045	SUPPORTO MOTORE IDR. MEC 2-8000/H GR. 3	HYDR. MOT. SUPPORT - MEC 2-8000/H GR. 3	1
M81/3,5	4011001016	SUPPORTO MOTORE IDR.MEC 2-11000/H GR.3,5	HYDR. MOT. SUPPORT - MEC 2-8000/H GR.3,5	1
M82	4020107006	MANICOTTO TRASM. MOT. IDR. MEC 2-5000	HYDR. MOTOR TRANSM. COUPLING MEC 2-5000	1
M83	4010901016	CURVA DI SCARICO ORIENTAB.D51 MEC 2/4000	REVOLVING ELBOW - MEC 2-4000 D 51	2
M83/60	4010901021	CURVA DI SCARICO ORIENTAB.D60 MEC 2/4000	REVOLVING ELBOW - MEC 2-4000 D 60	2
M86	5050707015	CHIAVETTA 8X7X40	KEY - 8X7X40	1
MEC87	5020107001	PRESA CALETTATA FORO D 30 - Ø 1"3/8	SPLINED HUB HOLE D 30 - SLOT 8 - D 1"3/8	1
M94	5050107005	VITE M 6X16 TE	SCREW - M 6X16 TE	3
M95	4010901010	CURVA DI SCARICO MEC 2-4000/G	EXHAUST ELBOW - MEC 2-4000/G	1
M96	4010601115	COPERCHIO SCATOLA MOLT. MEC 2-8000 CE	GEARBOX COVER - MEC 2-8000 CE	1
M97	4060505000	PROTEZIONE ALBERO CE	SHAFT GUARD - CE	1
M98	5050207008	RONDELLA TRANCIATA D 10X40	BLANK WASHER - D 10X40	1
M99	5050903001	TAPPO M 10x1 - DIN 906	PLUG - M 10X 1	2
M100	5050906006	TAPPO D 16x1.5 - DIN 908 -	PLUG - D 16X1	2
M101	5050202007	RONDELLA D 16X20X1,5 ALLUMINIO	ALUMINIUM WASHER - D 16X20X1,5	2
M102	4020607004	PIGNONE DEC. GARDA MEC 2-5000 Z39-M3	GARDA PINION - Z39-M3 MEC 2-5000	1
M103	4030108029	GUARN. FLANGIA SUPP. DECOMPR. MEC /G	PUMP SUPPORT GASKET - MEC/G	1
M104	4010401006	FLANGIA DI SUPPORTO DEC. GARDA/2-3-4000	PUMP SUPPORT FLANGE - MEC/G 2000	1
M105	5050107028	VITE M 12X35 TE	SCREW - M 12X35 TE	4
M106	5050207005	RONDELLA D 12	SMOOTH WASHER - D 12	4
M107	5050107026	VITE M 10X25 TCEI	SCREW - M 10X25 TCEI	6
M108	4020607019	PIGNONE DEC. GARDA MEC 2-5000 FOLZ39-M3	GARDA PINION - Z39-M3 MEC 2-5000 FOLLE	1
M109	4020607016	PIGNONE DEC. GARDA MEC 2-5000 GA Z50-M3	GARDA PINION - Z50-M3 MEC 2-5000 GA	1
M110	5030210060	ANELLO DI TEN. SUPP. DEC. OR171.12x2.62	SEAL RING - OR171.12x2.62 .../G	1
M111	5050107084	VITE M 6x16 TEF - FL/ZIGR 8.8 -	SCREW - M 6X16 TEF	3
M112	5051007008	GRANO M 10X1	DOWEL - M 10X1	1
M113	5050107109	VITE M 10X25 TEF - FL/ZIGR 8.8 -	SCREW - M 10X25 TEF - FL/ZIGR 8.8	13
M114	5050107108	VITE M 8X25 TEF - FL/ZIGR 8.8 -	SCREW - M 8X25 TEF - FL/ZIGR 8.8	21
M115	5050107122	VITE M 6X25 TE -10.9 -	SCREW - M 6X25 TE -10.9 -	3
M116	5030210028	ANELLO TENUTA OR 2337 POMPA LF	SEAL RING - OR 86824 LF PUMP	2
M117	4030108046	GUARN. SUPP. MOTORE IDR. GRUPPO 3.5 -MEC	HYDR. MOT. SUPP. GASKET - GR. 3.5 - MEC	1
M119	4011707041	ANELLO DI RIDUZ. PER MOT. IDR. G.3 MEC	CENTERING RING FOR HYDR. MOTOR - MEC GR3	1
M120	5060010020	POMOLO LEVA SPECIALE UNI 707 M14X25	HANDLE KNOB - D 14X25 EN 707	2
M121	4011912012	PERNO MANIGLIA UNI 707 MEC 2/8000-STAR	HANDLE PIN - MEC 2-8000 STAR - EN 707	1
M122	4010007036	SOSTEGNO MANIGLIA UNI 707 MEC 2-3-4000	SUPPORT FOR HANDLE UNI 707 MEC 2-3-4000	1
M123	4010801025	MANIGLIA UNI 707 MEC 2000-8000	HANDLE - MEC 2-8000 EN707	1
M124	5050107022	VITE M 10X40 TE	SCREW M 10X40 TE	1
M125	5050207004	RONDELLA D 10	WASHER D 10	2
M126	5050300009	DADO AUTOBLOCCANTE M 10	SELF-LOCKING NUT - M 10	1
M127	4011001076	SUPPORTO CILINDRO IDR.(PISTONE)MEC2-4000	HYDR. HANDLE SUPPORT MEC 2-4000	1





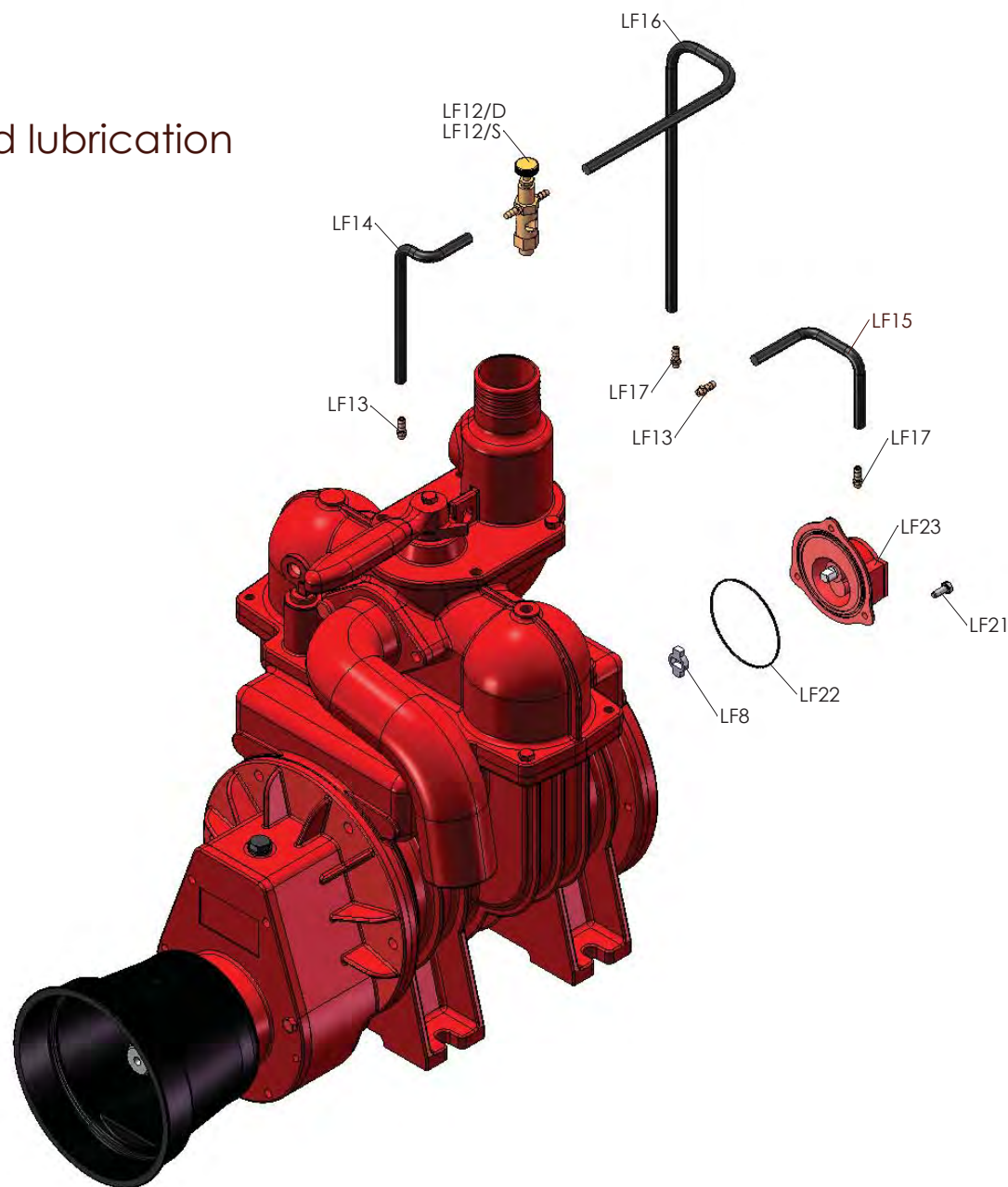
M128	4011907087	SPINOTTO LATERALE MEC 5-8000 CIL.IDRAUL.	SIDE PIN FOR HYDR.HANDLE MEC 5-8000	1
M129	5050507021	COPPIGLIA A MOLLA 2.5X58	COTTER PIN 2.5X58	1
M130	5090000006	PISTONE PER MANIGLIA IDR. - MEC 2-4000	PISTON - HYDR. HANDLE - MEC 2-4000	1
M131	4010801031	MANIGLIA IDRAULICA MEC 2000-8000	HANDLE - MEC 2000-8000 HYDRAULIC	1
M132	5050300013	DADO AUTOBLOCCANTE M 12 BASSO - DIN 985	SELF-LOCKING NUT M 12	1
M118	6010201003	KIT REVISIONE POMPA MEC 2000 STANDARD	REBUILD KIT - MEC 2000 STANDARD	1
ME118	6010201004	KIT REVISIONE POMPA MEC 3000 STANDARD	REBUILD KIT - MEC 3000 STANDARD	1
MEC118	6010201005	KIT REVISIONE POMPA MEC 4000 STANDARD	REBUILD KIT - MEC 4000 STANDARD	1
M118/SP	6010201016	KIT REVISIONE POMPA MEC 2000 LONG LIFE	REBUILD KIT - MEC 2000 LONG LIFE	1
ME118/SP	6010201017	KIT REVISIONE POMPA MEC 3000 LONG LIFE	REBUILD KIT - MEC 3000 LONG LIFE	1
MEC118/SP	6010201018	KIT REVISIONE POMPA MEC 4000 LONG LIFE	REBUILD KIT - MEC 4000 LONG LIFE	1



**Battioni®**  
**Pagani**  
**Pompe**

## MEC 2000-3000-4000-5000 Forceed lubrication

Rel. 0 dated 01/03/2012

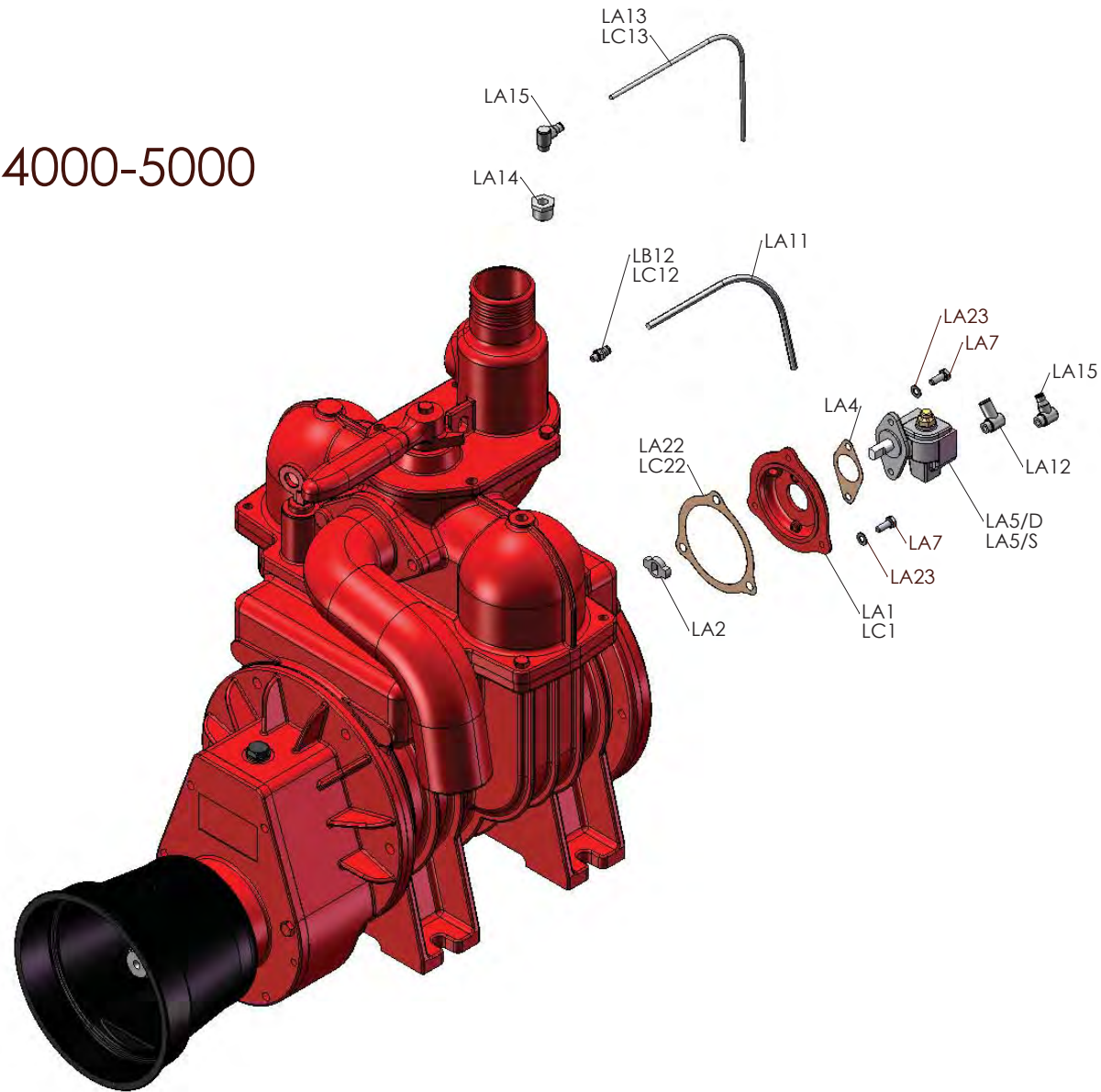




Battioni®  
Pagani  
Pompe

# Automatic lubrication MEC 1000-2000-3000-4000-5000

Rel. 0 dated 01/03/2012





Ref.	Code	Descrizione	Description	Qty
LA1	4010601022	COPERCHIO POSTERIORE POMPA OLIO MEC LA	OIL PUMP SUPPORT BACK COVER - MEC LA.	1
LA4	4030108011	GUARN. POMPA OLIO LA.	OIL PUMP GASKET - LA.	1
LA5/D	5080200033	POMPA LA 1 MAND. AL DX IIS	OIL PUMP - LA 1 WAYS AL DX IIS	1
LA5/S	5080200034	POMPA LA 1 MAND. AL SX IIS	OIL PUMP - LA 1 WAYS AL SX IIS	1
LA7	5050107005	VITE M 6X16 TE	SCREW - M 6X16 TE	5
LA11	5080105002	TUBO LUBRIFICAZIONE D 4X6 - RILSAN	SUCTION HOSE - D 4X6	0,24
LA12	5040303007	RACCORDO D 1/8"X6X90° RILSAN	CONNECTOR - D 1/8"X6X90° RILSAN	2
LC12	5040303027	RACCORDO DRITTO D 1/8"X6 RILSAN - F.CON.	STRAIGHT CONNECTOR - D 1/8"X6 RILSAN	1
LA13	5080105001	TUBO LUBRIFICAZIONE D 2X4 - RILSAN	LUBRICATION HOSE - D 2X4	0,47
LA14	5040407001	RIDUZIONE D 1/4"X1/8" GAS	REDUCTION - D 1/4"X1/8" GAS	1
LA15	5040303008	RACCORDO D 1/8"X4X90° RILSAN	CONNECTOR - D 1/8"X4X90° RILSAN	4
LA2	4010006002	GIUNTO DI COLLEGAMENTO L.F.	CONNECTOR JOINT - L.F.	1
LA20	5050812001	INGRASSATORE M 10X1	LUBRICATOR - M 10X1	1
LA22	4030108005	GUARN. COPERCHIO POSTERIORE MEC 2-8000	BACK COVER GASKET - MEC 2-8000	1
LA23	5050207002	RONDELLA D 6	SMOOTH WASHER - D 6	5
LA24	5030210028	ANELLO TENUTA OR 2337 POMPA LF	SEAL RING - OR 86824 LF PUMP	1
LA25	5080004004	FASCETTA STRINGITUBO D 6 LA	HOSE CLAMP - D 6 LA	1
LA26	5050903001	TAPPO M 10x1 - DIN 906	PLUG M 10x1	1
LA27	5050906001	TAPPO D 1/4" GAS	PLUG - D 1/4" GAS	1
LA28	5050202003	RONDELLA D 1/4" GAS ALLUMINIO	ALUMINIUM WASHER - D 1/4" GAS	1
LA29	5080105003	TUBO LUBRIFICAZIONE D4X6 TEFLON-MEC9000	SUCTION HOSE - D 4X6 TEFLON - MEC9000	0,50
LA30	5080105003	TUBO LUBRIFICAZIONE D4X6 TEFLON-MEC11000	SUCTION HOSE - D 4X6 TEFLON - MEC11000	0,55
LA31	5080105003	TUBO LUBRIFICAZIONE D4X6 TEFLON-MEC13500	SUCTION HOSE - D 4X6 TEFLON - MEC13500	0,60
LA32	5050107108	VITE M 8X25 TEF - FL/ZIGR 8.8 -	SCREW - M 8X25 TEF - FL/ZIGR 8.8	2
LA33	5060105003	LIVELLO OLIO COMPLETO SLV 127	COMPLETE OIL LEVEL - SLV 127	1
LA34	4011001074	SUPPORTO SERBATOIO LATER. MEC 9-11-13500	SIDE TANK SUPPORT - MEC 9-13500	1
LA35	4060310001	PASSATUBO CHIUSO	CLOSED TUBE-PASS	1
LA36	5060605007	TAPPO CARICO OLIO D 1"1/4 GAS	OIL PLUG - D 1"1/4 GAS	1
LA37/DX	4011406010	SERBATOIO OLIO LATERALE STAR DX	SIDE OIL TANK - STAR RIGHT	1
LA37/SX	4011406009	SERBATOIO OLIO LATERALE STAR SX	SIDE OIL TANK - STAR LEFT	1
LB11	5080105002	TUBO LUBRIFICAZIONE D 4X6 - RILSAN	SUCTION HOSE - D 4X6	0,26
LB12	5040303011	RACCORDO DRITTO D 1/8"X6 RILSAN	STRAIGHT CONNECTOR - D 1/8"X6 RILSAN	1
LB16	5080105001	TUBO LUBRIFICAZIONE D 2X4 - RILSAN	LUBRICATION HOSE - D 2X4	0,69
LB17	5080105001	TUBO LUBRIFICAZIONE D 2X4 - RILSAN	LUBRICATION HOSE - D 2X4	0,29
LB18	5080004002	FASCETTA STRINGITUBO D 4 LA	HOSE CLAMP - D 4	1
LB5/D	5080200036	POMPA LA 2 MAND. AL DX IIS	OIL PUMP - LA 2 WAYS AL DX IIS	1
LB5/S	5080200038	POMPA LA 2 MAND. AL SX IIS	OIL PUMP - LA 2 WAYS AL SX IIS	1
LC1	4010606017	COPERCHIO POSTERIORE MEC 1000-1600 LA	BACK COVER - MEC 1000-1600 LA	1
LC13	5080105001	TUBO LUBRIFICAZIONE D 2X4 - RILSAN	LUBRICATION HOSE - D 2X4	0,42
LC22	4030108002	GUARN. COPERCHIO POSTERIORE MEC 1-1600	BACK COVER GASKET - MEC 1-1600	1
LF8	4010006002	GIUNTO DI COLLEGAMENTO L.F.	CONNECTOR JOINT - L.F.	1
LF12/D	5040200003	RUBINETTO REGOLATORE OLIO 2 VIE X 180°	DRAIN COCK - 2 WAYS X 180°	1
LF12/S	5040200007	RUBINETTO REGOLATORE OLIO 2 VIE X 60°	DRAIN COCK - 2 WAYS X 60°	1
LF13	5040303004	RACCORDO PORTATUBO M 10X1 LF	CONNECTOR - M 10X1 LF	2
LF14	5080110002	TUBO IN GOMMA D 5X10.5	RUBBER HOSE - D 5X10.5	0,17
LF15	5080110002	TUBO IN GOMMA D 5X10.5	RUBBER HOSE - D 5X10.5	0,17
LF16	5080110002	TUBO IN GOMMA D 5X10.5	RUBBER HOSE - D 5X10.5	0,4
LF17	5040303013	RACCORDO PORTATUBO M 6X1 LF	CONNECTOR - M 6X1 LF	2
LF19	5080110002	TUBO IN GOMMA D 5X10.5	RUBBER HOSE - D 5X10.5	0,21
LF20	5080110002	TUBO IN GOMMA D 5X10.5	RUBBER HOSE - D 5X10.5	0,47
LF21	5050107005	VITE M 6X16 TE	SCREW - M 6X16 TE	3
LF22	5030210028	ANELLO TENUTA OR 2337 POMPA LF	SEAL RING - OR 86824 LF PUMP	1
LF23	6080200001	POMPA LF MEC 2-8000	PUMP - LF MEC 2-8000	1
LF24	5080004003	FASCETTA STRINGITUBO D 10 LF	HOSE CLAMP - D 10 LF -AGRI-	1
LF25	5080110002	TUBO DI ASPIRAZIONE D5X10,5 - MEC9000	RUBBER HOSE D5X10,5 - MEC9000	0,50
LF26	5080110002	TUBO DI ASPIRAZIONE D5X10,5 - MEC11000	RUBBER HOSE D5X10,5 - MEC11000	0,55
LF27	5080110002	TUBO DI ASPIRAZIONE D5X10,5 - MEC13500	RUBBER HOSE D5X10,5 - MEC13500	0,60
LF29	5060605007	TAPPO CARICO OLIO D 1"1/4 GAS	OIL PLUG - D 1"1/4 GAS	1





LF30	4060310001	PASSATUBO CHIUSO	CLOSED TUBE-PASS	1
LF31/DX	4011406010	SERBATOIO OLIO LATERALE STAR DX	SIDE OIL TANK - STAR RIGHT	1
LF31/SX	4011406009	SERBATOIO OLIO LATERALE STAR SX	SIDE OIL TANK - STAR LEFT	1
LF32	5060105003	LIVELLO OLIO COMPLETO SLV 127	COMPLETE OIL LEVEL - SLV 127	1
LF33	4011001074	SUPPORTO SERBATOIO LATER. MEC 9-11-13500	SIDE TANK SUPPORT - MEC 9-13500	1
LF34	5050107108	VITE M 8X25 TEF - FL/ZIGR 8.8 -	SCREW - M 8X25 TEF - FL/ZIGR 8.8	2