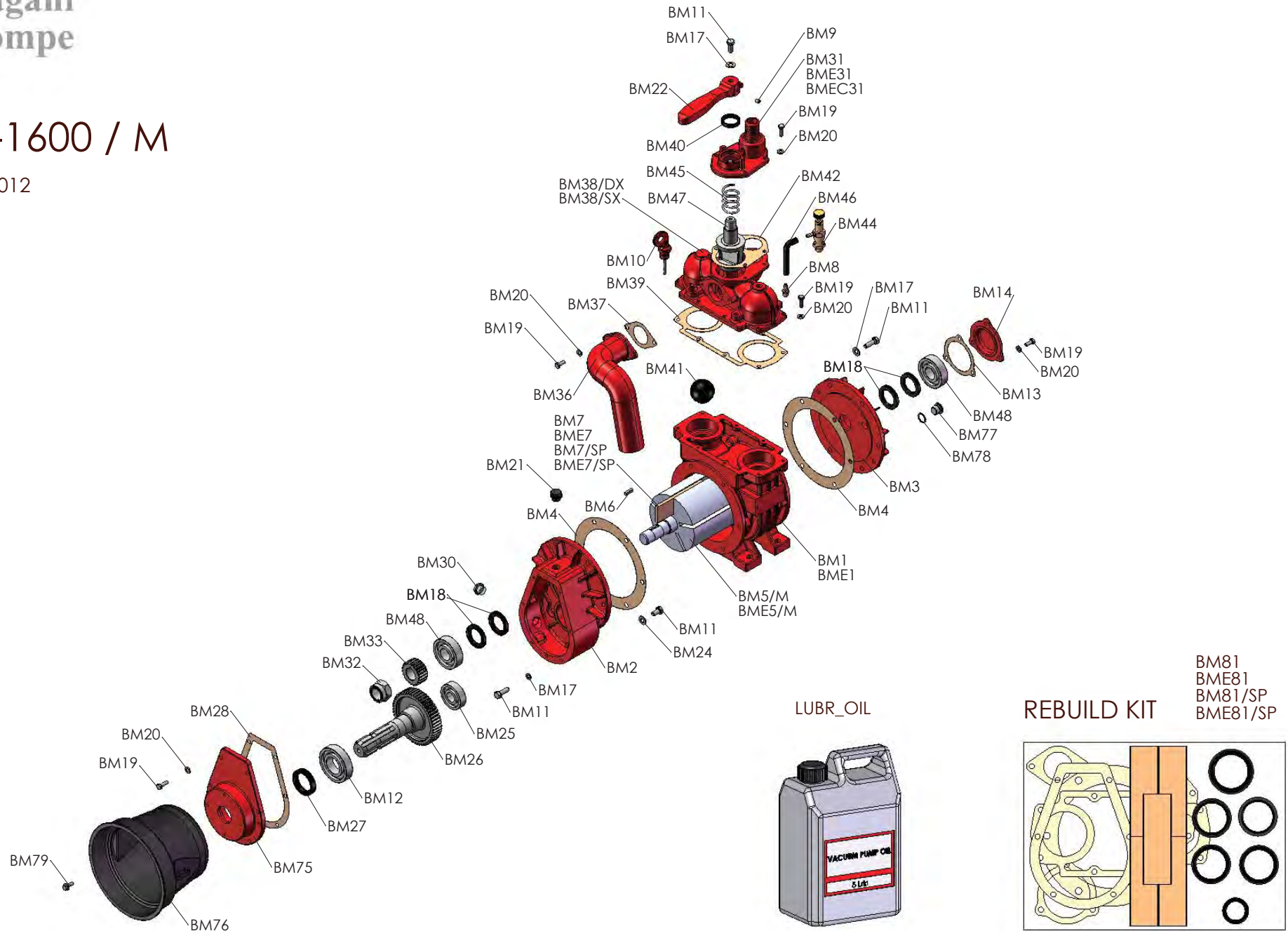




Battioni®
Pagani
Pompe

MEC 1000-1600 / M

Rel. 0 dated 01/03/2012

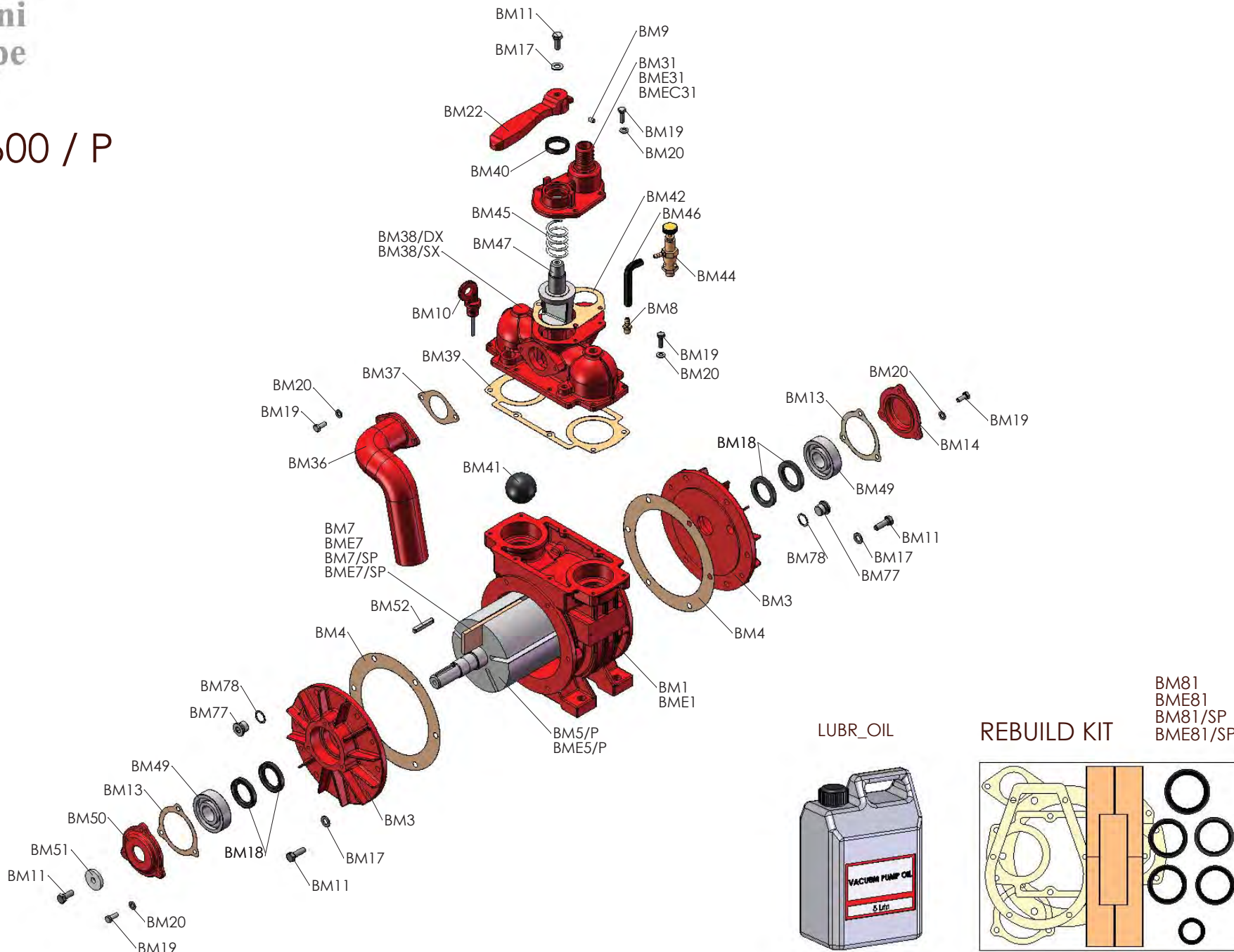




**Battioni®
Pagani
Pompe**

MEC 1000-1600 / P

Rel. 0 dated 01/03/2012

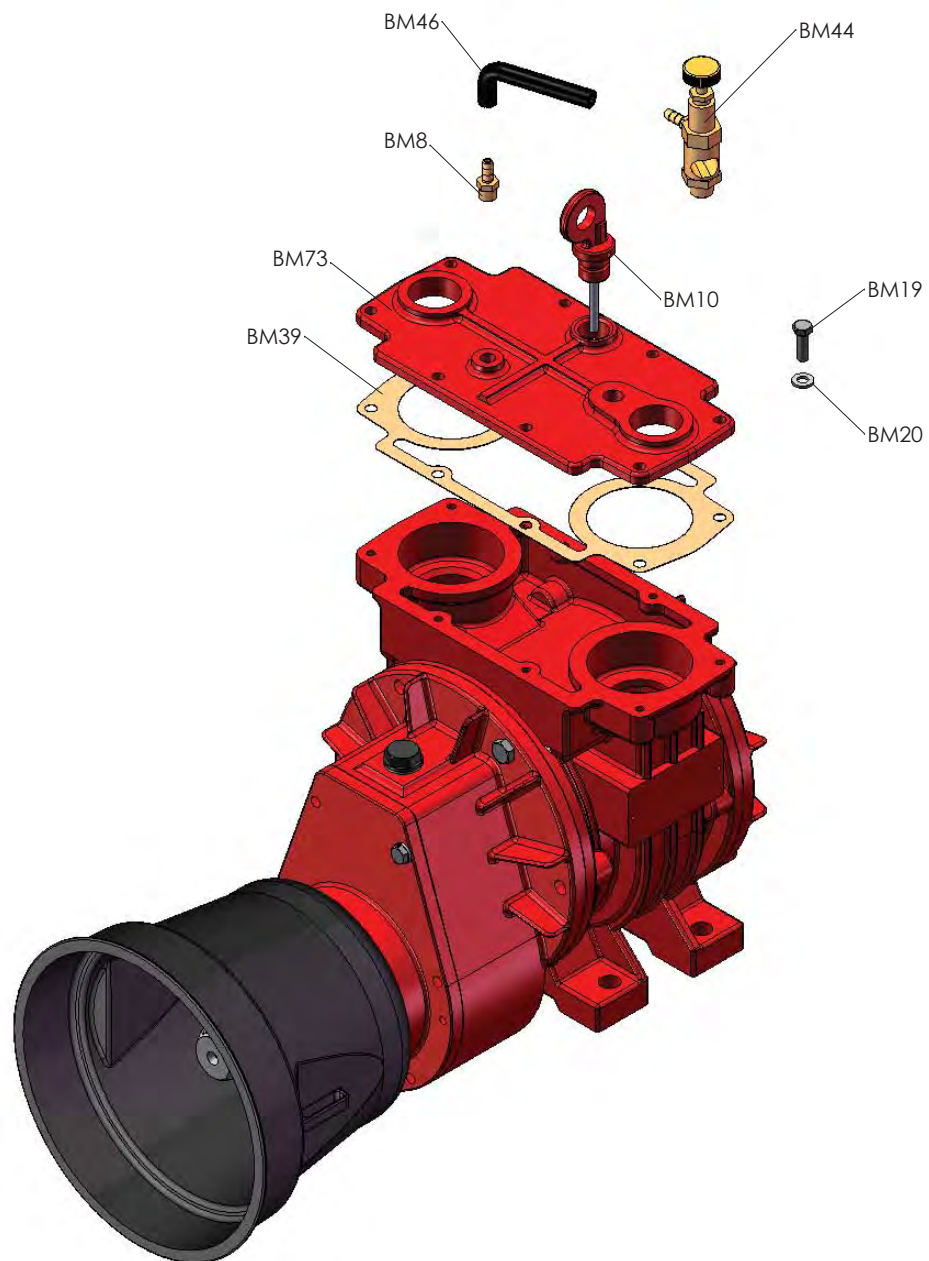




Battioni®
Pagani
Pompe

MEC 1000-1600 / S.C.

Rel. 0 dated 01/03/2012





Ref.	Code	Descrizione	Description	Qty
BM1	4010101001	CORPO POMPA MEC 1000	HOUSING - MEC 1000	1
BME1	4010101002	CORPO POMPA MEC 1600	HOUSING - MEC 1600	1
BM2	4010301001	SCATOLA MOLT. MEC 1000-1600/M	GEARBOX - MEC 1000-1600/M	1
BM3	4010401001	FLANGIA POSTERIORE MEC 1000-1600	FRONT AND BACK FLANGE - MEC 1000-1600	2
BM4	4030108001	GUARN. FLANGIA MEC 1-1600	FLANGE GASKET - MEC 1-1600	2
BM5/M	4010220001	ROTORE MEC 1000/M	ROTOR - MEC 1000/M	1
BM5/P	4010220003	ROTORE MEC 1000/P	ROTOR - MEC 1000/P	1
BME5/M	4010220002	ROTORE MEC 1600/M	ROTOR - MEC 1600/M	1
BME5/P	4010220004	ROTORE MEC 1600/P	ROTOR - MEC 1600/P	1
BM6	5050707001	CHIAVETTA 5X5X20	KEY - 5X5X20	1
BM7	4070113001	PALETTA STANDARD - MEC 1000 120X38X6.5	STANDARD BLADE - MEC 1000 120X38X6.5	5
BM7/SP	4070113118	PALETTA LONG LIFE - MEC 1000 120X38X6.5	LONG LIFE BLADE - MEC 1000 120X38X6.5	5
BME7	4070113002	PALETTA STANDARD - MEC 1600 190X38X6.5	STANDARD BLADE - MEC 1600 190X38X6.5	5
BME7/SP	4070113119	PALETTA LONG LIFE - MEC 1600 190X38X6.5	LONG LIFE BLADE - MEC 1600 190X38X6.5	5
BM8	5040303001	RACCORDO PORTATUBO M 10X1 MM 55	CONNECTOR - M 10X1 MM 55	1
BM9	5051007001	GRANO M 6X10	DOWEL - M 6X10	1
BM10	5060100001	ASTA LIVELLO OLIO 18X55 MM	OIL LEVEL ROD - MM 18X55	1
BM11	5050107009	VITE M 8X20 TE	SCREW - M 8X20 TE	14
BM12	5012107003	CUSCINETTO A SFERE 6207	BALL BEARING - 6207	1
BM13	4030108002	GUARN. COPERCHIO POSTERIORE MEC 1-1600	BACK COVER GASKET - MEC 1-1600	2
BM14	4010601001	COPERCHIO POSTERIORE MEC 1000/1600	BACK COVER - MEC 1000/1600	1
BM17	5050207003	RONDELLA D 8	SMOOTH WASHER - D 8	13
BM18	5030300001	PARAOLIO 30X47X6	OIL SEAL - 30X47X6	4
BM19	5050107006	VITE M 6X20 TE	SCREW - M 6X20 TE	21
BM20	5050207002	RONDELLA D 6	SMOOTH WASHER - D 6	21
BM21	5060605001	TAPPO CARICO OLIO D 3/8" GAS	OIL PLUG - D 3/8" GAS	1
BM22	4010801001	MANIGLIA MEC 1-1600	HANDLE - MEC 1-1600	1
BM24	5050202001	RONDELLA D 8X12X1,5 ALLUMINIO	ALUMINIUM WASHER - D 8X12X1,5	1
BM25	5012107006	CUSCINETTO A SFERE 6304	BALL BEARING - 6304	1
BM26	4020507001	INGR. CON ALBERO MEC 1-1600 Z53-M2	GEAR WITH SHAFT - Z53-M2 MEC 1-1600	1
BM27	5030300002	PARAOLIO 35X52X10	OIL SEAL - 35X52X10	1
BM28	4030108003	GUARN. COPERCHIO MOLT. MEC 1-1600	GEARBOX COVER GASKET - MEC 1- 1600	1
BM30	5060105004	TAPPO LIVELLO OLIO D 3/8" GAS	OIL LEVEL PLUG - D 3/8" GAS	1
BM31	4010601003	COPERCHIO COLLETTORE D 27 MEC 1000	MANIFOLD COVER - MEC 1000 D27	1
BME31	4010601004	COPERCHIO COLLETTORE D 45 MEC 1600	MANIFOLD COVER - MEC 1600 D45	1
BMEC31	4010601005	COPERCHIO COLLETTORE D 1" GAS MEC 1000	MANIFOLD COVER - MEC 1000 D1"GAS	1
BM32	5050300001	DADO AUTOBLOCCANTE M 24X2X15	SELF-LOCKING NUT - M 24X2	1
BM33	4020607001	PIGNONE MEC 1-1600 Z22-M2	PINION - Z22-M2 MEC 1-1600	1
BM36	4010901001	CURVA DI SCARICO MEC 1-1600	EXHAUST ELBOW - MEC 1-1600	1
BM37	4030110001	GUARN. LATERALE COLL. MEC 1-1600	MANIFOLD SIDE GASKET - MEC 1-1600	1
BM38/DX	4010501001	COLLETTORE MEC 1000-1600	MANIFOLD - MEC 1000-1600	1
BM38/SX	4010501023	COLLETTORE MEC 1000-1600 SINISTRO	MANIFOLD - MEC 1000-1600 CCW	1
BM39	4030109001	GUARN. COLLETTORE MEC 1-1600	MANIFOLD GASKET - MEC 1-1600	1
BM40	5030300003	PARAOLIO 25X35X7 TC	OIL SEAL - 25X35X7	1
BM41	5060410004	SFERA IN GOMMA PESANTE D 45	RUBBER BALL - D 45	1
BM42	4030109002	GUARN. COPERCHIO COLL. MEC 1-1600	MANIFOLD COVER GASKET - MEC 1-1600	1
BM44	5040200002	RUBINETTO REGOLATORE OLIO 1 VIA	DRAIN COCK - 1 WAY	1
BM45	4012007001	MOLLA MEC 2-4000	SPRING - MEC 2-4000	1
BM46	5080110002	TUBO IN GOMMA D 5X10.5	RUBBER HOSE - D 5X10.5	0,12
BM47	4010701001	CONO INVERTITORE MEC 1-1600	REVERSING GEAR - MEC 1-1600	1
BM48	5012107007	CUSCINETTO A SFERE 6305	BALL BEARING - 6305	1
BM49	5012107008	CUSCINETTO A SFERE 6305 2RS	BALL BEARING - 6305 2RS	2
BM50	4010601006	COPERCHIO ANTERIORE MEC1000/1600 /P	FRONT COVER - MEC1000-1600 /P	1
BM51	5050207009	RONDELLA TRANCIATA D 8X32	BLANK WASHER - D 8X32	1
BM52	5050707003	CHIAVETTA 6X6X40	KEY - 6X6X40	1
BM73	4010601007	COPERCHIO SERBATOIO OLIO MEC 1000/1600	OIL TANK COVER - MEC 1000/1600	1
BM75	4010601114	COPERCHIO SCATOLA MOLT. MEC 1000-1600 CE	GEARBOX COVER - MEC 1000-1600 CE	1
BM76	4060505000	PROTEZIONE ALBERO CE	SHAFT GUARD - CE	1



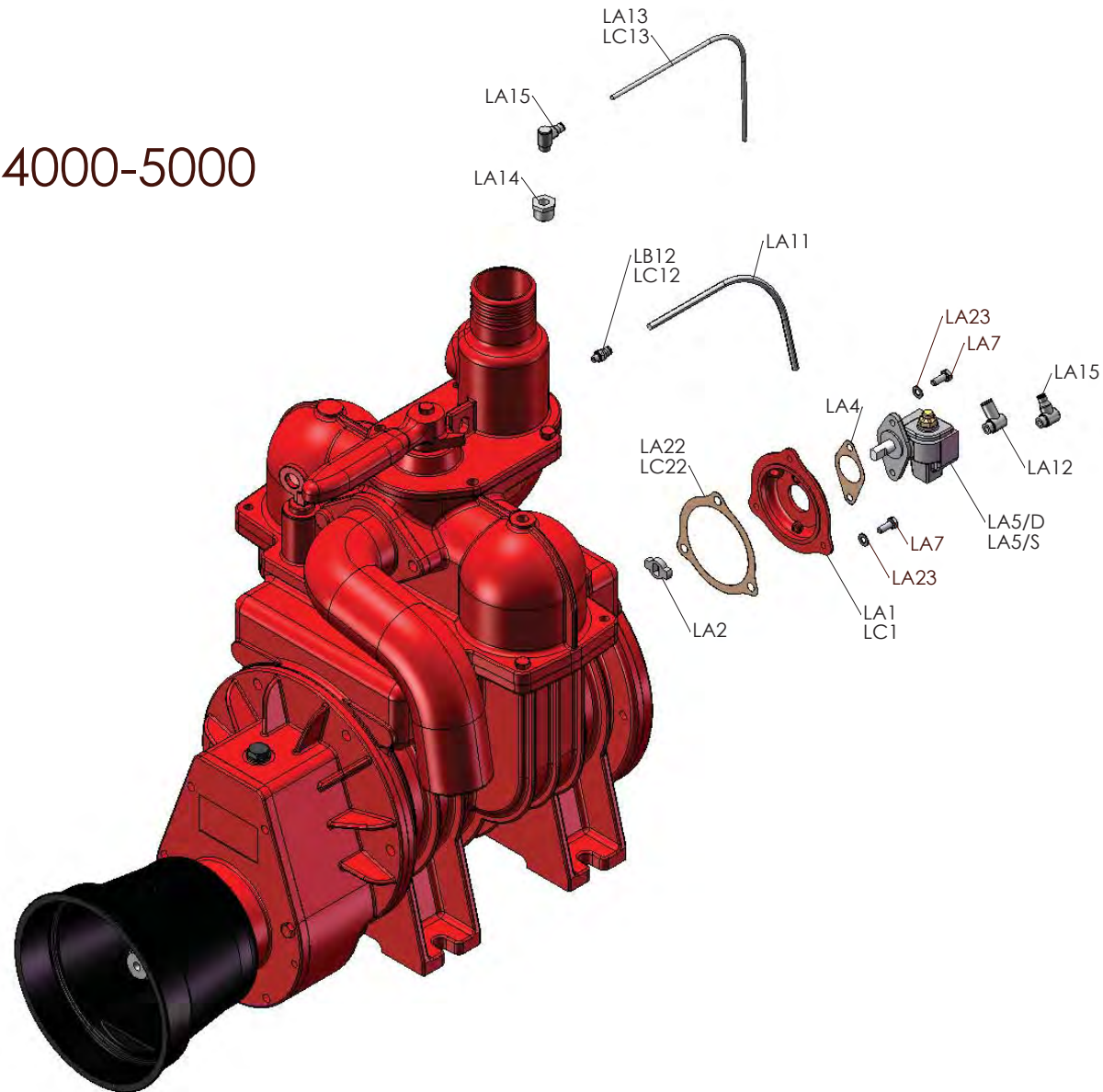
BM77	5050906006	TAPPO D 16x1.5 - DIN 908 -	PLUG - D 16X1	2
BM78	5050202007	RONDELLA D 16X20X1,5 ALLUMINIO	ALUMINIUM WASHER - D 16X20X1,5	2
BM79	5050107084	VITE M 6x16 TEF - FL/ZIGR 8.8 -	SCREW - M 6X16 TEF	4
BM81	6010201001	KIT REVISIONE POMPA MEC 1000 STANDARD	REBUILD KIT - MEC 1000 STANDARD	1
BME81	6010201002	KIT REVISIONE POMPA MEC 1600 STANDARD	REBUILD KIT - MEC 1600 STANDARD	1
BM81/SP	6010201014	KIT REVISIONE POMPA MEC 1000 LONG LIFE	REBUILD KIT - MEC 1000 LONG LIFE	1
BME81/SP	6010201015	KIT REVISIONE POMPA MEC 1600 LONG LIFE	REBUILD KIT - MEC 1600 LONG LIFE	1
LUBR_OIL	5070200100	OLIO BATTIONI PAGANI POMPE (5LT)	BATTIONI PAGANI VACUUM PUMP OIL (5LT)	1



Battioni®
Pagani
Pompe

Automatic lubrication MEC 1000-2000-3000-4000-5000

Rel. 0 dated 01/03/2012





Ref.	Code	Descrizione	Description	Qty
LA1	4010601022	COPERCHIO POSTERIORE POMPA OLIO MEC LA	OIL PUMP SUPPORT BACK COVER - MEC LA.	1
LA4	4030108011	GUARN. POMPA OLIO LA.	OIL PUMP GASKET - LA.	1
LA5/D	5080200033	POMPA LA 1 MAND. AL DX IIS	OIL PUMP - LA 1 WAYS AL DX IIS	1
LA5/S	5080200034	POMPA LA 1 MAND. AL SX IIS	OIL PUMP - LA 1 WAYS AL SX IIS	1
LA7	5050107005	VITE M 6X16 TE	SCREW - M 6X16 TE	5
LA11	5080105002	TUBO LUBRIFICAZIONE D 4X6 - RILSAN	SUCTION HOSE - D 4X6	0,24
LA12	5040303007	RACCORDO D 1/8"X6X90° RILSAN	CONNECTOR - D 1/8"X6X90° RILSAN	2
LC12	5040303027	RACCORDO DRITTO D 1/8"X6 RILSAN - F.CON.	STRAIGHT CONNECTOR - D 1/8"X6 RILSAN	1
LA13	5080105001	TUBO LUBRIFICAZIONE D 2X4 - RILSAN	LUBRICATION HOSE - D 2X4	0,47
LA14	5040407001	RIDUZIONE D 1/4"X1/8" GAS	REDUCTION - D 1/4"X1/8" GAS	1
LA15	5040303008	RACCORDO D 1/8"X4X90° RILSAN	CONNECTOR - D 1/8"X4X90° RILSAN	4
LA2	4010006002	GIUNTO DI COLLEGAMENTO L.F.	CONNECTOR JOINT - L.F.	1
LA20	5050812001	INGRASSATORE M 10X1	LUBRICATOR - M 10X1	1
LA22	4030108005	GUARN. COPERCHIO POSTERIORE MEC 2-8000	BACK COVER GASKET - MEC 2-8000	1
LA23	5050207002	RONDELLA D 6	SMOOTH WASHER - D 6	5
LA24	5030210028	ANELLO TENUTA OR 2337 POMPA LF	SEAL RING - OR 86824 LF PUMP	1
LA25	5080004004	FASCETTA STRINGITUBO D 6 LA	HOSE CLAMP - D 6 LA	1
LA26	5050903001	TAPPO M 10x1 - DIN 906	PLUG M 10x1	1
LA27	5050906001	TAPPO D 1/4" GAS	PLUG - D 1/4" GAS	1
LA28	5050202003	RONDELLA D 1/4" GAS ALLUMINIO	ALUMINIUM WASHER - D 1/4" GAS	1
LA29	5080105003	TUBO LUBRIFICAZIONE D4X6 TEFLON-MEC9000	SUCTION HOSE - D 4X6 TEFLON - MEC9000	0,50
LA30	5080105003	TUBO LUBRIFICAZIONE D4X6 TEFLON-MEC11000	SUCTION HOSE - D 4X6 TEFLON - MEC11000	0,55
LA31	5080105003	TUBO LUBRIFICAZIONE D4X6 TEFLON-MEC13500	SUCTION HOSE - D 4X6 TEFLON - MEC13500	0,60
LA32	5050107108	VITE M 8X25 TEF - FL/ZIGR 8.8 -	SCREW - M 8X25 TEF - FL/ZIGR 8.8	2
LA33	5060105003	LIVELLO OLIO COMPLETO SLV 127	COMPLETE OIL LEVEL - SLV 127	1
LA34	4011001074	SUPPORTO SERBATOIO LATER. MEC 9-11-13500	SIDE TANK SUPPORT - MEC 9-13500	1
LA35	4060310001	PASSATUBO CHIUSO	CLOSED TUBE-PASS	1
LA36	5060605007	TAPPO CARICO OLIO D 1"1/4 GAS	OIL PLUG - D 1"1/4 GAS	1
LA37/DX	4011406010	SERBATOIO OLIO LATERALE STAR DX	SIDE OIL TANK - STAR RIGHT	1
LA37/SX	4011406009	SERBATOIO OLIO LATERALE STAR SX	SIDE OIL TANK - STAR LEFT	1
LB11	5080105002	TUBO LUBRIFICAZIONE D 4X6 - RILSAN	SUCTION HOSE - D 4X6	0,26
LB12	5040303011	RACCORDO DRITTO D 1/8"X6 RILSAN	STRAIGHT CONNECTOR - D 1/8"X6 RILSAN	1
LB16	5080105001	TUBO LUBRIFICAZIONE D 2X4 - RILSAN	LUBRICATION HOSE - D 2X4	0,69
LB17	5080105001	TUBO LUBRIFICAZIONE D 2X4 - RILSAN	LUBRICATION HOSE - D 2X4	0,29
LB18	5080004002	FASCETTA STRINGITUBO D 4 LA	HOSE CLAMP - D 4	1
LB5/D	5080200036	POMPA LA 2 MAND. AL DX IIS	OIL PUMP - LA 2 WAYS AL DX IIS	1
LB5/S	5080200038	POMPA LA 2 MAND. AL SX IIS	OIL PUMP - LA 2 WAYS AL SX IIS	1
LC1	4010606017	COPERCHIO POSTERIORE MEC 1000-1600 LA	BACK COVER - MEC 1000-1600 LA	1
LC13	5080105001	TUBO LUBRIFICAZIONE D 2X4 - RILSAN	LUBRICATION HOSE - D 2X4	0,42
LC22	4030108002	GUARN. COPERCHIO POSTERIORE MEC 1-1600	BACK COVER GASKET - MEC 1-1600	1
LF8	4010006002	GIUNTO DI COLLEGAMENTO L.F.	CONNECTOR JOINT - L.F.	1
LF12/D	5040200003	RUBINETTO REGOLATORE OLIO 2 VIE X 180°	DRAIN COCK - 2 WAYS X 180°	1
LF12/S	5040200007	RUBINETTO REGOLATORE OLIO 2 VIE X 60°	DRAIN COCK - 2 WAYS X 60°	1
LF13	5040303004	RACCORDO PORTATUBO M 10X1 LF	CONNECTOR - M 10X1 LF	2
LF14	5080110002	TUBO IN GOMMA D 5X10.5	RUBBER HOSE - D 5X10.5	0,17
LF15	5080110002	TUBO IN GOMMA D 5X10.5	RUBBER HOSE - D 5X10.5	0,17
LF16	5080110002	TUBO IN GOMMA D 5X10.5	RUBBER HOSE - D 5X10.5	0,4
LF17	5040303013	RACCORDO PORTATUBO M 6X1 LF	CONNECTOR - M 6X1 LF	2
LF19	5080110002	TUBO IN GOMMA D 5X10.5	RUBBER HOSE - D 5X10.5	0,21
LF20	5080110002	TUBO IN GOMMA D 5X10.5	RUBBER HOSE - D 5X10.5	0,47
LF21	5050107005	VITE M 6X16 TE	SCREW - M 6X16 TE	3
LF22	5030210028	ANELLO TENUTA OR 2337 POMPA LF	SEAL RING - OR 86824 LF PUMP	1
LF23	6080200001	POMPA LF MEC 2-8000	PUMP - LF MEC 2-8000	1
LF24	5080004003	FASCETTA STRINGITUBO D 10 LF	HOSE CLAMP - D 10 LF -AGRI-	1
LF25	5080110002	TUBO DI ASPIRAZIONE D5X10,5 - MEC9000	RUBBER HOSE D5X10,5 - MEC9000	0,50
LF26	5080110002	TUBO DI ASPIRAZIONE D5X10,5 - MEC11000	RUBBER HOSE D5X10,5 - MEC11000	0,55
LF27	5080110002	TUBO DI ASPIRAZIONE D5X10,5 - MEC13500	RUBBER HOSE D5X10,5 - MEC13500	0,60
LF29	5060605007	TAPPO CARICO OLIO D 1"1/4 GAS	OIL PLUG - D 1"1/4 GAS	1



LF30	4060310001	PASSATUBO CHIUSO	CLOSED TUBE-PASS	1
LF31/DX	4011406010	SERBATOIO OLIO LATERALE STAR DX	SIDE OIL TANK - STAR RIGHT	1
LF31/SX	4011406009	SERBATOIO OLIO LATERALE STAR SX	SIDE OIL TANK - STAR LEFT	1
LF32	5060105003	LIVELLO OLIO COMPLETO SLV 127	COMPLETE OIL LEVEL - SLV 127	1
LF33	4011001074	SUPPORTO SERBATOIO LATER. MEC 9-11-13500	SIDE TANK SUPPORT - MEC 9-13500	1
LF34	5050107108	VITE M 8X25 TEF - FL/ZIGR 8.8 -	SCREW - M 8X25 TEF - FL/ZIGR 8.8	2